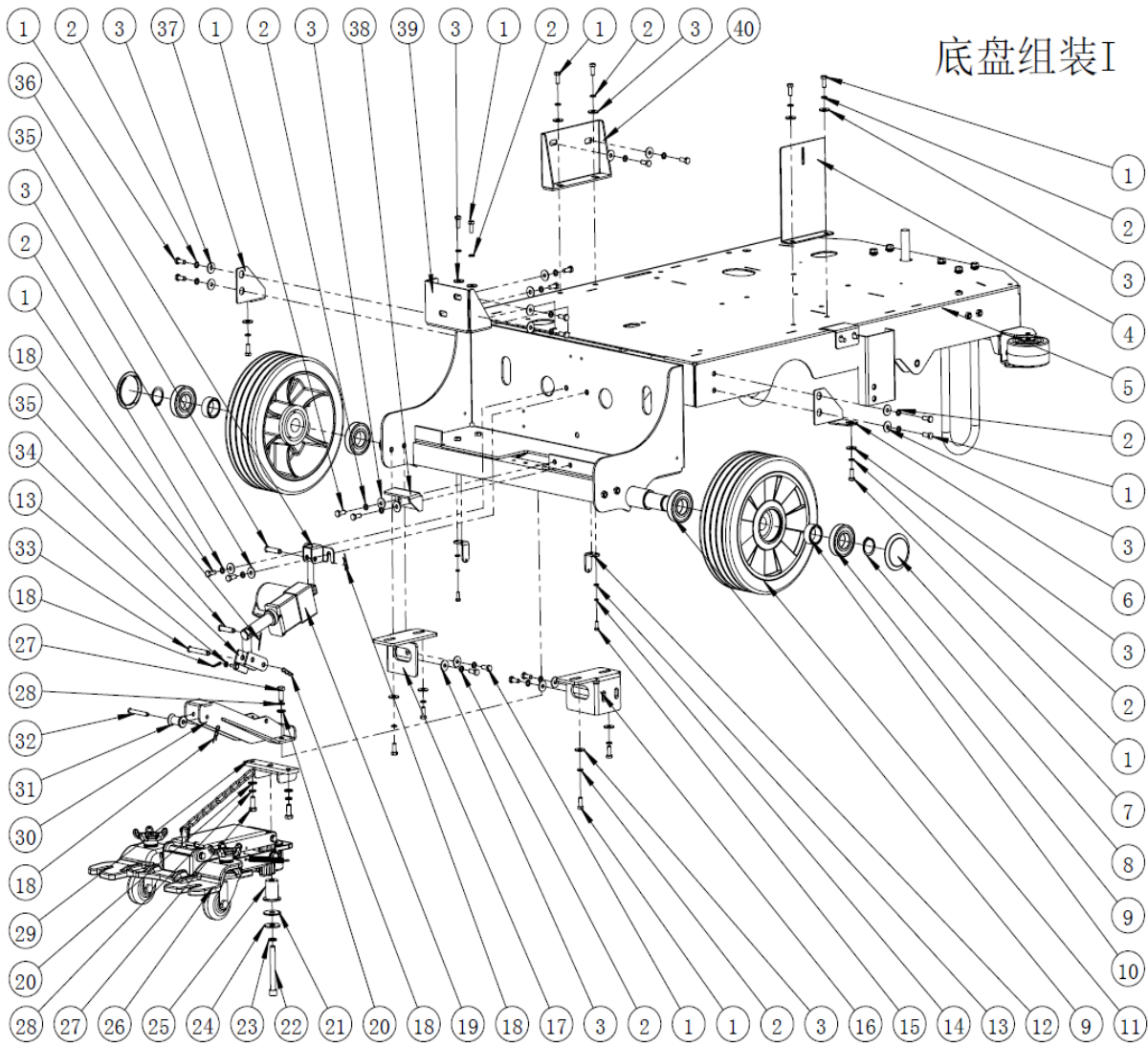


GM230整机组装

Machine assembly

NO	Article#	QTY	DESC	NO	Article#	QTY	DESC
1	LJ070300062	1	GM230 left fence (grey)	13	LJ030300014	1	GM230 battery case
2	BZ020100068	1	M10*110 outer-hexagonal (L	14	LJ010200433	6	GM230 battery insulation
3	BZ020400006	1	M10 Spring washer	15	LJ010100632	1	Toolbox board
4	BZ020300012	1	M10 Flat mat	16	BZ020100163	4	M5*10 flat head cross
5	BZ090500001	2	Sheet metal protective tape	17	BZ230100001	4	GM230 Toolbox Power Magnet
6	LJ010100621	2	Inside hanger plate	18	LJ070300068	1	GM230 toolbox (grey)
7	BZ020400010	12	M8 Large flat mat	19	BZ020200011	4	M8 self-locking nut
8	BZ020400005	16	M8 Spring washer	20	BZ020400009	4	M8 Flat mat
9	BZ020100006	16	M8*20 outer-hexagonal	21	BZ160400002	2	R pin 2*40
10	LJ070300061	1	GM230 main pedal board (dark	22	LJ010100642	1	Seat bottom welds
11	LJ010100622	2	Left front box connection plate	23	BZ190100003	1	GM230 seats
12	LJ010100620	1	Rear wheel shroud connection				

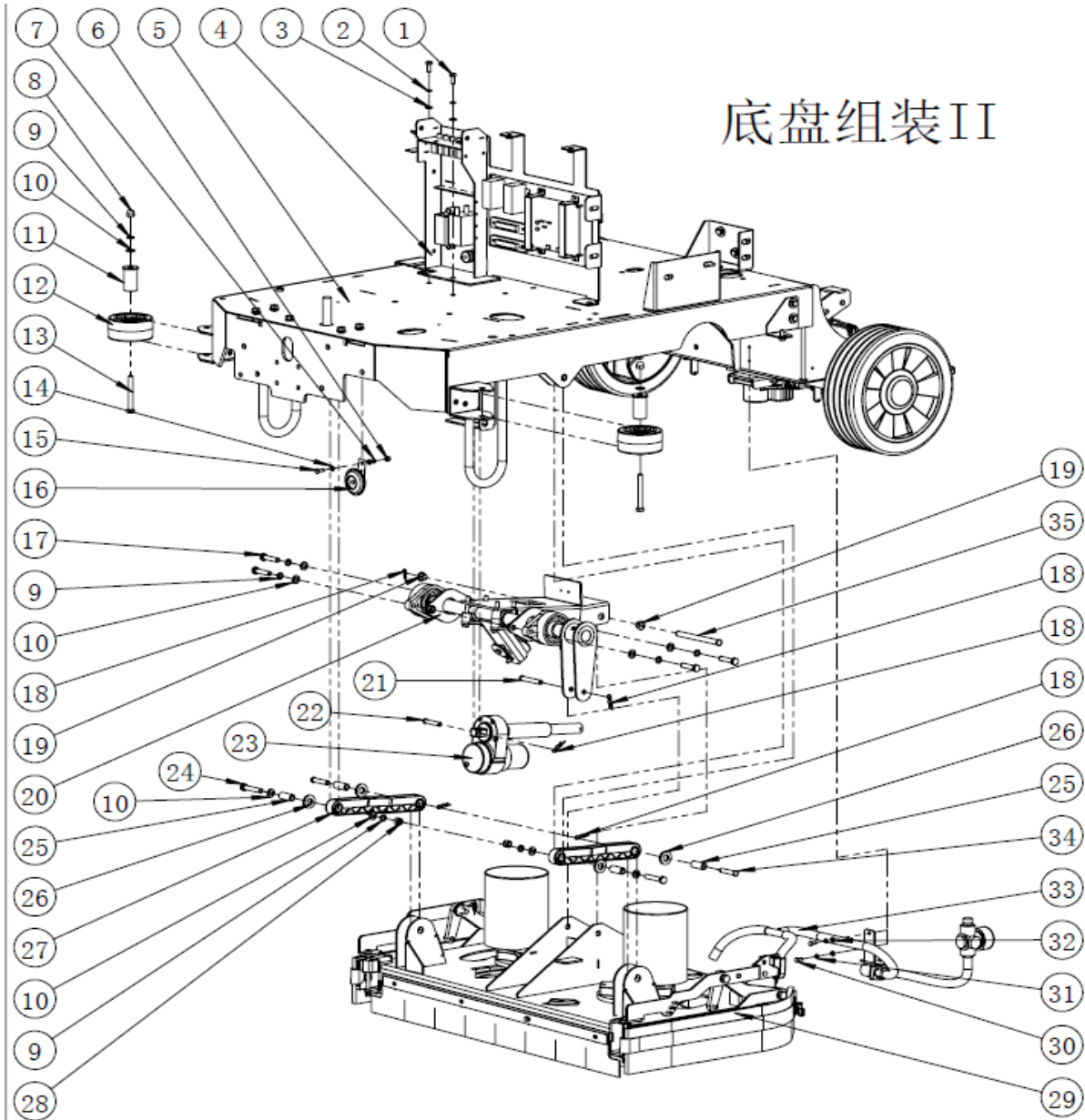
底盘组装I



Foundation assembly I

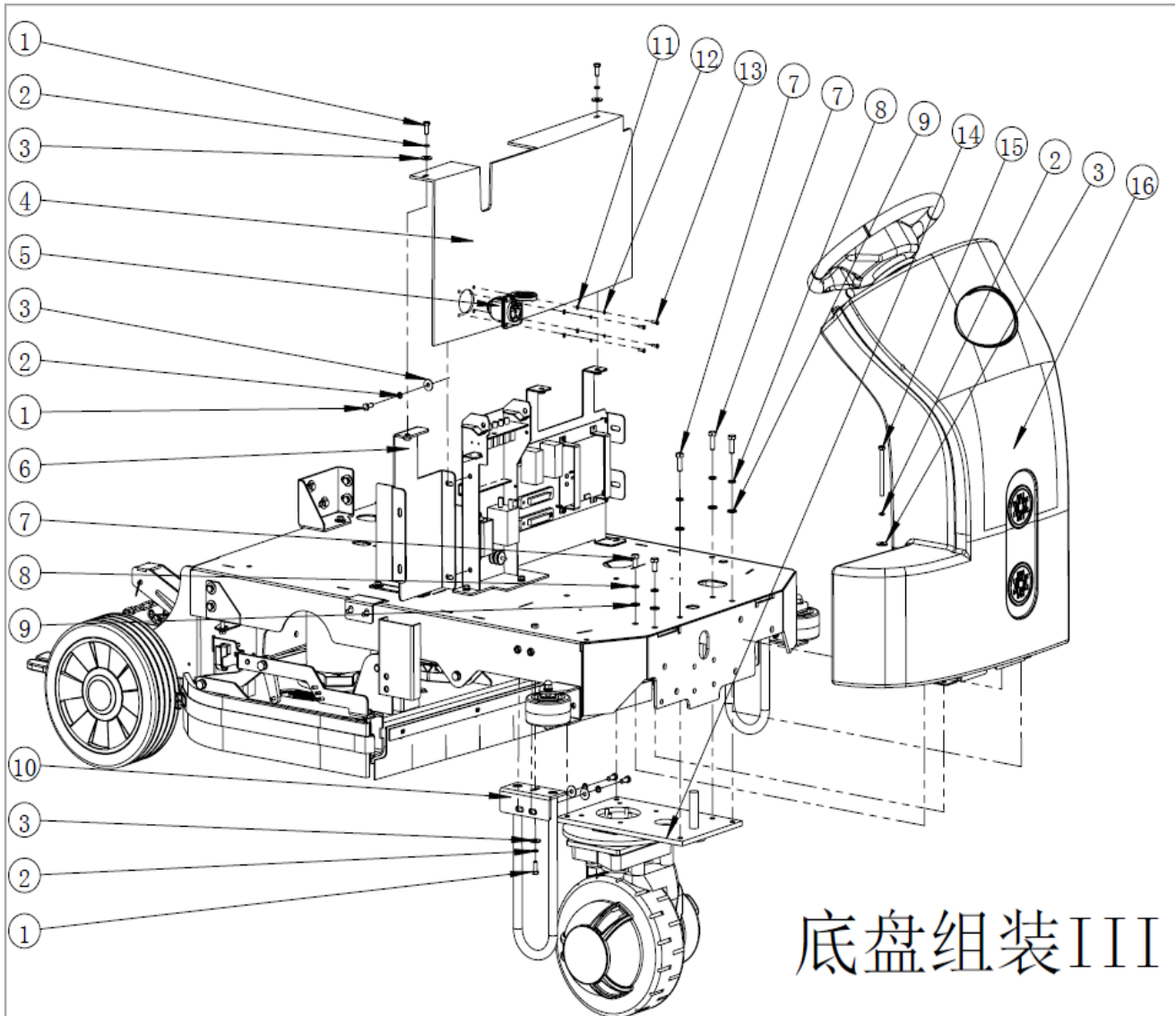
NO	Article#	QTY	DESC	NO	Article#	QTY	DESC
1	BZ020100063	30	M8*20 outer-hexagonal	21	LJ010200280	1	Squeegee shaft copper pad
2	BZ020400005	30	M8 Spring washer	22	BZ020100186	1	M12*100 Hex Socket(12.9)
3	BZ020300010	30	M8 Large flat mat	23	BZ020400007	1	M12 Spring washer
4	LJ01010058	1	Charger bracket	24	BZ020300029	1	M12 Large flat mat
5	LJ01010058	1	GM230 Car frame	25	LJ010200281	1	Squeegee shaft copper bush
6	LJ01010062	1	Right rear box connection	26	BC06027008	1	Squeegee connection
7	LJ03010029	2	GM230 Rear wheel cover	27	BZ020100141	3	M10*25 outer-hexagonal (12.9)
8	BZ030100020	2	¢35 Axis card	28	BZ020400006	3	M10 Spring washer
9	BZ04010002	4	6207ZZ bearing	29	LJ010100640	1	Squeegee rotary shaft welds
10	LJ01020042	2	GM230 Rear wheel bearing	30	LJ010100636	1	Squeegee hanger
11	LJ03020021	2	GM230 Rear wheel	31	LJ010200190	1	Zipper pulley
12	LJ01010059	2	Spring panel	32	BZ160100003	1	Pin ¢ 8X60
13	BZ020300006	2	M6 Large flat mat	33	BZ160100034	1	Pin ¢ 10X65
14	BZ020400004	2	M6 Spring washer	34	LJ010100641	1	Pushrod rocker welds
15	BZ02010003	2	M6 * 16 outer-hexagonal	35	BZ160100033	2	Pin ¢ 10X45
16	LJ01010058	1	Rear right box connection	36	LJ010100589	1	Rear pushrod motor connection
17	LJ01010058	1	Rear left box connection plate	37	LJ010100633	1	Left rear box connection plate
18	BZ160400001	4	3mmR pin	38	LJ010100590	1	Rear center box support plate
19	LJ09010046	1	GM230 Rear pushrod harness	39	LJ010100588	1	Rear box baffle
20	BZ020300012	3	M10 flat mat	40	LJ010100586	1	Solution tank connection plate

底盘组装II



Foundation assembly II

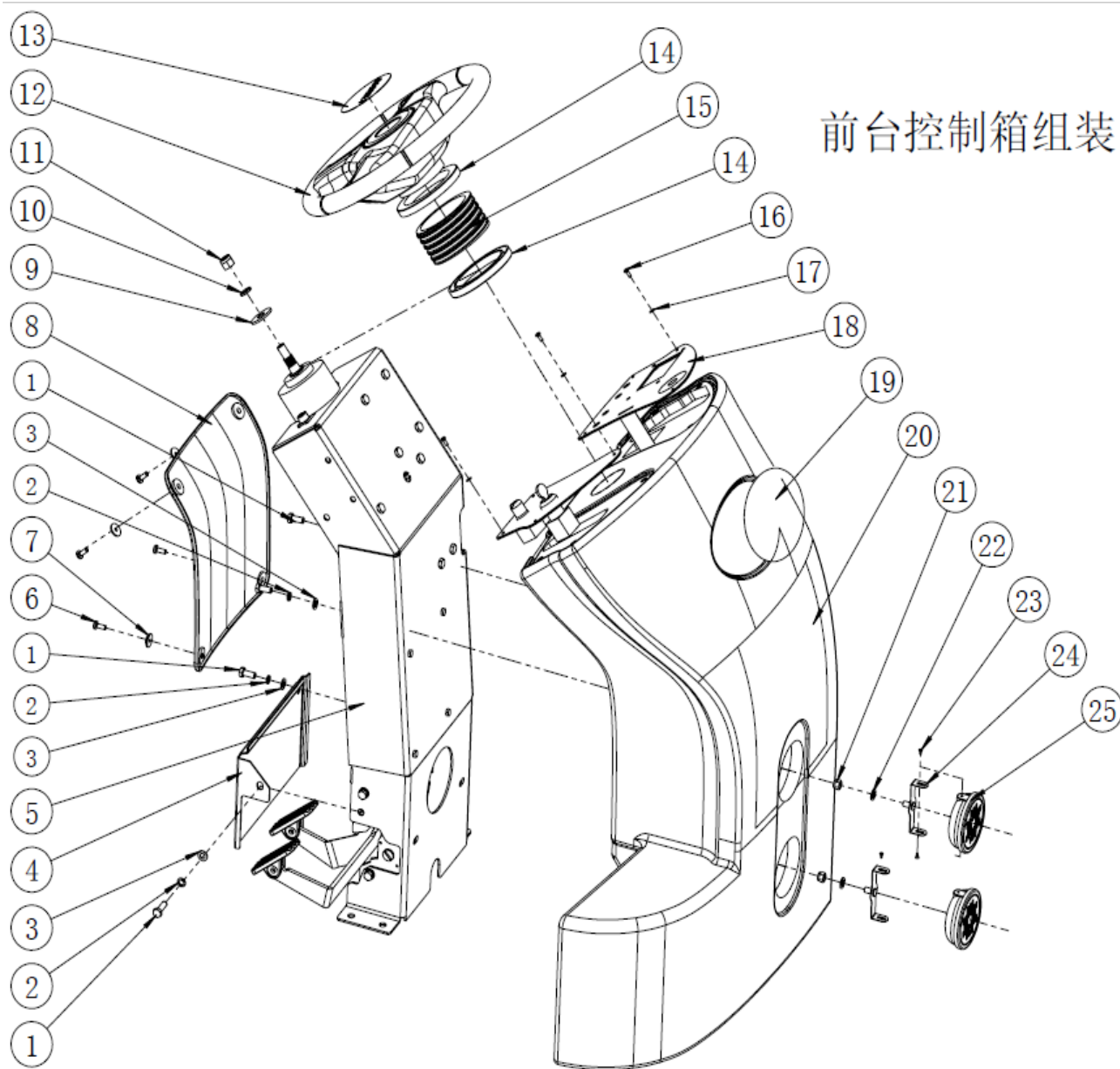
NO	Article#	QTY	DESC	NO	Article#	QTY	DESC
1	BZ020100063	3	M8*20 outer-hexagonal	19	LJ01020039	2	Main brush center bush
2	BZ020400005	3	M8 Spring washer	20	BC0602700	1	Main brush lift shaft assembly
3	BZ020300010	3	M8 Large flat mat	21	BZ160100034	1	Pin \varnothing 10X65
4	BC0602701	1	Electrical mounting plate	22	BZ160100002	1	Pin \varnothing 9X50
5	LJ01010058	1	GM230 Car frame	23	LJ09010046	1	GM230 front pushrod harness
6	BZ020200009	1	M6 Self-locking nut	24	BZ020100257	2	M10*55 outer-hexagonal
7	BZ020400004	1	M6 Spring washer	25	LJ010200231	4	Drive bearing bush
8	BZ020200003	2	M10 Cap nut	26	LJ010200042	4	Main brush connecting rod gasket
9	BZ020400000	8	M10 Spring washer	27	LJ01020039	2	GM230 motor connection rod
10	BZ020300012	10	M10 Flat mat	28	BZ020200014	2	M10 self-locking nut
11	LJ01020039	2	GM230 Anti-collision wheel bush	29	BC0602700	1	Main brush plate assembly
12	BZ08020001	2	GM230 Anti-collision wheel	30	BZ02010015	2	M5*16 outer-hexagonal
13	BZ020100149	2	M10*80 outer-hexagonal bolts	31	BZ020400000	2	M5 Spring washer
14	BZ020300006	2	M6 flat mat	32	BZ020300004	2	M5 Flat mat
15	BZ020100003	1	M6*16 outer-hexagonal	33		1	Solenoid valve assembly
16	LJ02140000	1	GM230 horn	34	BZ16010003	2	Pin \varnothing 10X50
17	BZ02010016	4	M10*45 outer-hexagonal	35	BZ16010002	1	Pin \varnothing 12X150
18	BZ160400001	4	3mmR pin				



Foundation assembly III

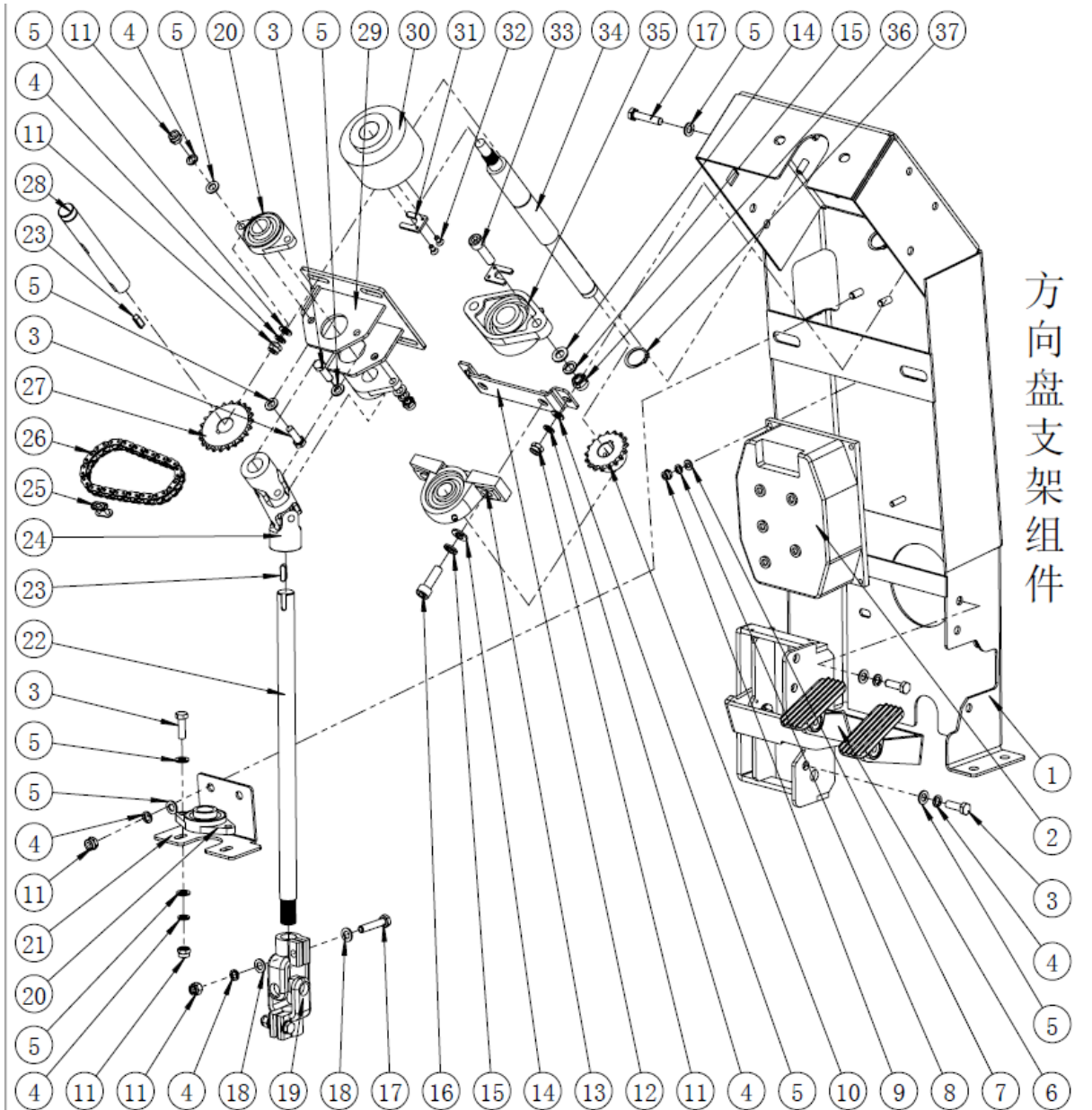
NO	Article#	QTY	DESC	NO	Article#	QTY	DESC
1	BZ020100063	8	M8*20 outer-hexagonal	9	BZ020300012	5	M10 Flat mat
2	BZ020400005	9	M8 Spring washer	10	LJ010100583	1	GM230 Anti-fall support
3	BZ020300010	9	M8 Large flat mat	11	BZ020300000	4	M4 Flat mat
4	LJ070300006	1	GM230 Dashboard (grey)	12	BZ020400002	4	M4 Spring washer
5	LJ021000009	1	Charger socket	13	BZ020100000	4	M4*16 head cross head
6	LJ010100064	1	Seat bottom sealing plate	14	BC06027001	1	Precursor components
7	BZ02010000	5	M10*25 outer-hexagonal	15	BZ020100256	1	M8*100 outer-hexagonal
8	BZ02040000	5	M10 Spring washer	16		1	Front console box assembly

前台控制箱组装



Front control box assembly

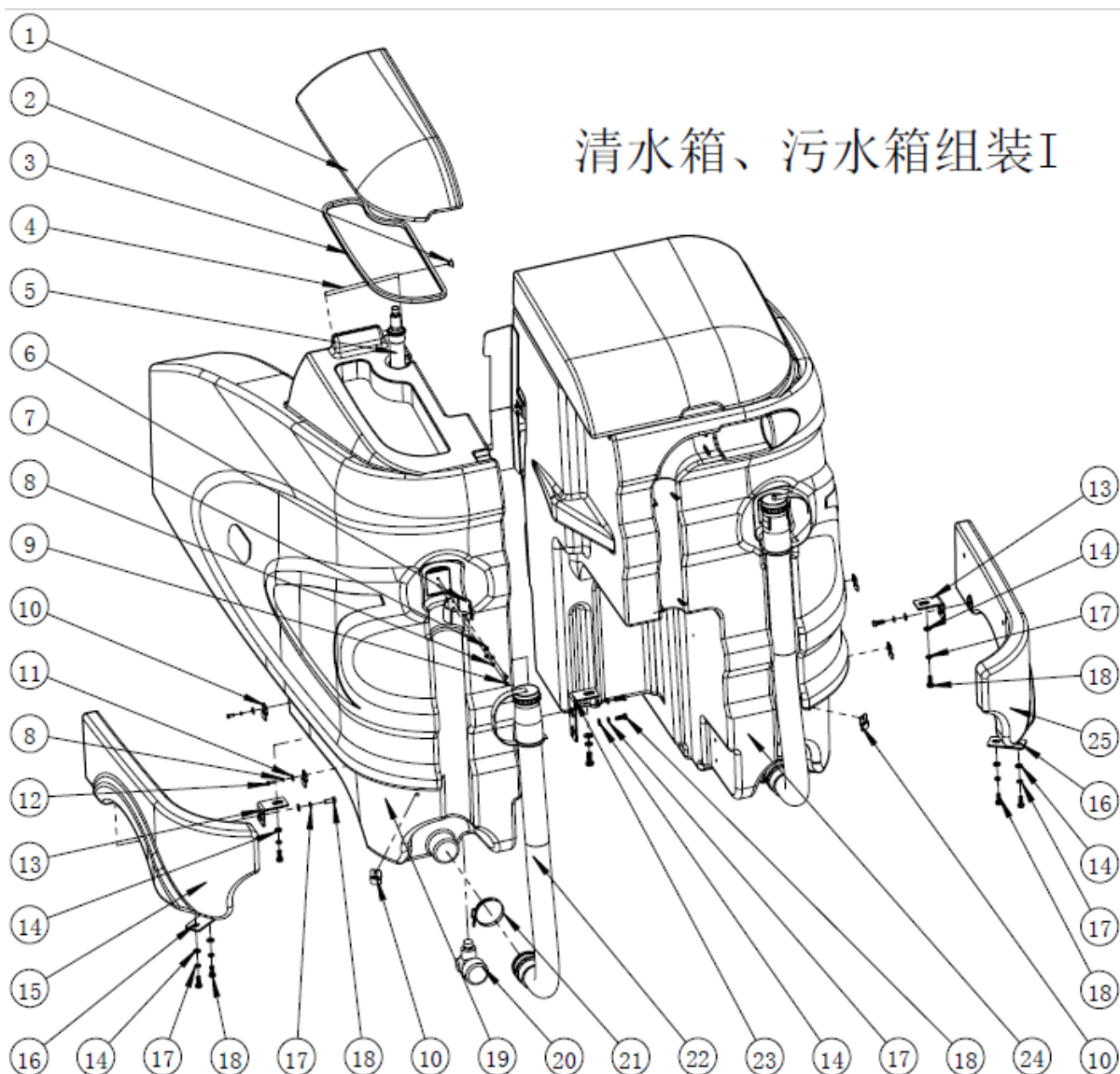
NO	Article#	QTY	DESC	NO	Article#	QTY	DESC
1	BZ020100063	4	M8*20 outer-hexagonal	14	LJ01020040	2	GM230 Corrugated pipe base
2	BZ020400005	4	M8 Spring washer	15	LJ08010002	1	PA nylon plastic Corrugated pipe
3	BZ020300010	4	M8 Large flat mat	16	BZ02010001	8	M4 * 10 head cross head
4	LJ01010061	1	Control panel under cover	17	BZ02030000	8	M4 Flat mat
5		1	Steering wheel bracket assembly	18	BC0602701	1	GM230 panel components
6	BZ020100185	4	M6*16 small head cross	19	LJ16020013	1	GM230 Front label
7	LJ03010015	4	Seat plastic mat	20	LJ07030006	1	GM230 Directional control console
8	LJ03030001	1	Control box cover	21	BZ020200011	2	M8 self-locking nut
9	BZ020300021	1	M14 Flat mat	22	BZ020400009	2	M8 Flat mat
10	BZ020400010	1	M14 Spring washer	23	BZ02010025	4	ST3*7 flat head cross self tapping
11	BZ020200026	1	M14 self-locking nut	24	LJ010100619	2	Headlamp bracket
12	BZ22010000	1	GM230 steering wheel	25	LJ090100470	2	GM230 headlamp harness assembly
13	LJ16020013	1	GM230 steering wheel label				



Steering wheel support component

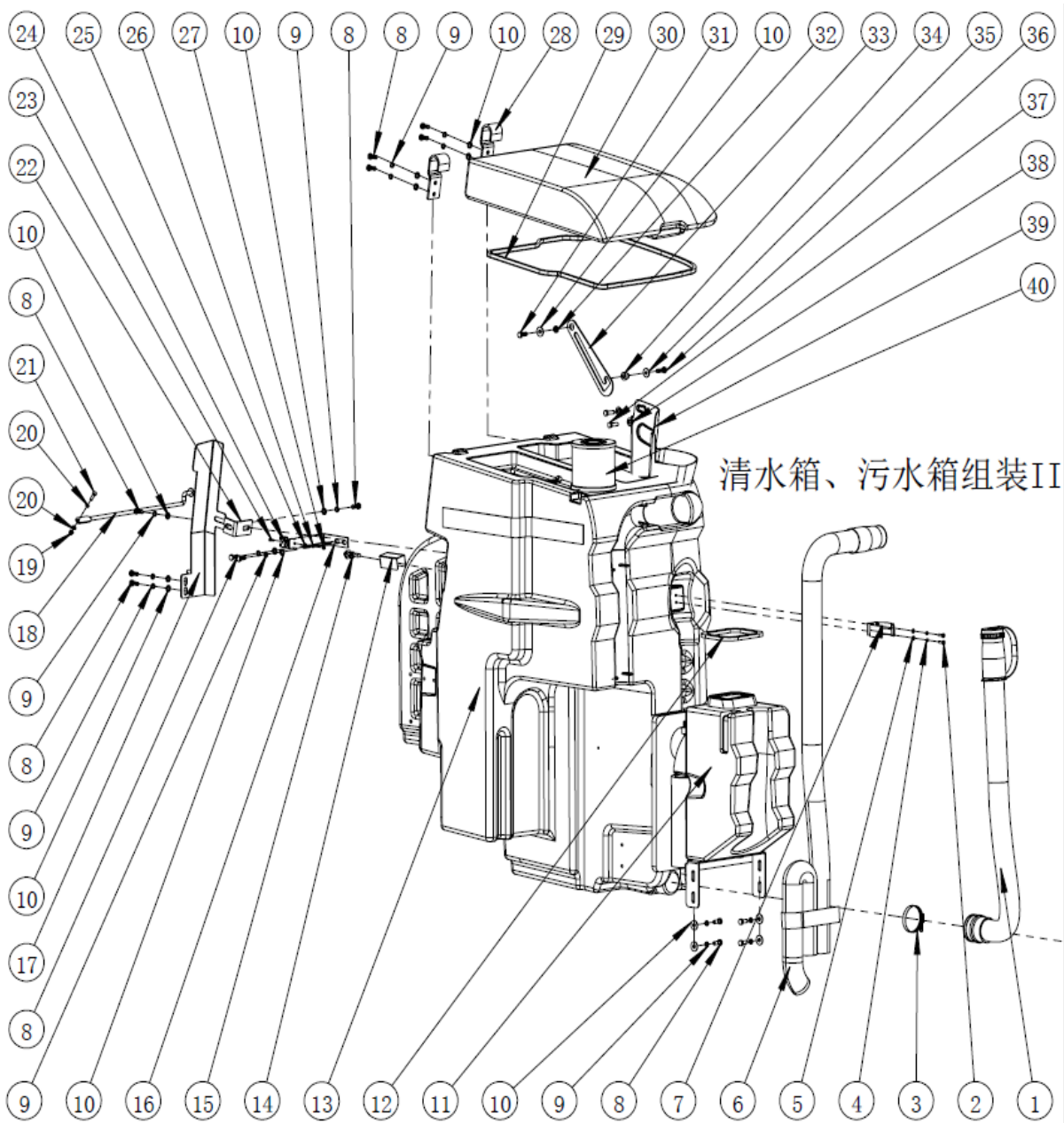
NO	Article#	QTY	DESC	NO	Article#	QTY	DESC
1	LJ010100611	1	Console bracket welds	20	BZ040200010	3	Zinc alloy bearing KFL004
2	LJ020200037	1	Curtis AC drive	21	LJ010100617	1	GM230 under articular board
3	BZ020100063	8	M8*20 outer-hexagonal	22	LJ010200409	1	GM230 Directional lower shaft
4	BZ020400005	16	M8 Spring washer	23	BZ130100016	4	Key 6 * 20
5	BZ020300010	23	M8 Large flat mat	24	BZ130400003	1	3 section universal joint
6	BC06027007	1	Drive & brake pedal assembly	25	BZ110100006	1	3-point chain connector
7	BZ020300006	4	M6 flat mat	26	BZ110100011	1	Chain (3 section 79mm)
8	BZ020400004	4	M6 Spring washer	27	LJ010200406	1	Driven sprocket
9	BZ020200009	4	M6 self-locking nut	28	LJ010200408	1	Upper driven shaft
10	LJ010200407	1	Drive sprocket	29	LJ010100616	1	GM230 driven sprocket welds
11	BZ020200011	14	M8 self-locking nut	30	LJ090100471	1	GM230 CPSR-TS harness
12	LJ010100618	1	Directional lower shaft bearing plate	31	LJ010100613	2	PSR-TS fixed foot
13	BZ040200009	1	Vertical stand bearing UCP204	32	BZ020100	4	ST3 * 8 flat head cross self
14	BZ020300012	4	M10 Flat mat	33	BZ020100228	2	M10*35 Hex socket (12.9)
15	BZ020400006	4	M10 Spring washer	34	LJ010200405	1	Steering wheel shaft
16	BZ020100130	2	M10*30 Hex socket (12.9)	35	BZ040200004	1	Seat bearing UCFL205
17	BZ020100064	2	M8*40 Outer-hexagonal	36	BZ020200014	2	M10 self-locking nut
18	BZ020400009	4	M8 Flat mat	37	BZ030100010	2	∅ 20 axis card
19	BZ130400004	1	GM230 Universal joint				

清水箱、污水箱组装I



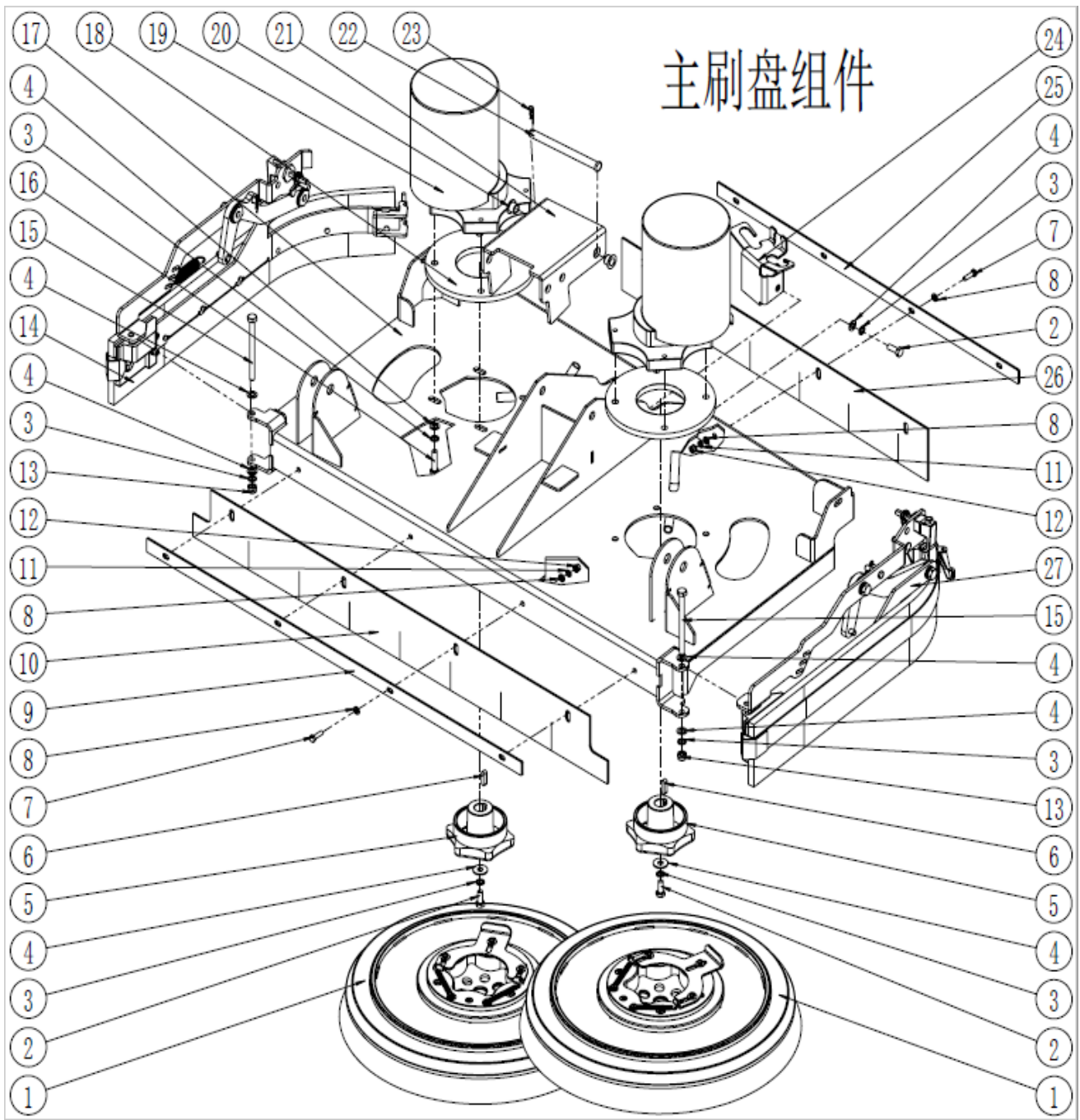
Solution & Recovery Tank Assembly I

NO	Article#	QT	DESC	NO	Article#	QTY	DESC
1	LJ070300067	1	GM230 Solution tank cover (grey)	14	BZ020300010	11	M8 Large flat mat
2	BZ07050000	1	Cover hole nail	15	LJ07030006	1	GM230 Rear wheel Shield (dark
3	LJ130200019	1	Rear cover gasket	16	LJ01010062	2	Rear wheel shroud connection
4	LJ010200414	1	Solution tank cover wear shaft	17	BZ020400005	11	M8 Spring washer
5		1	Water sensor components	18	BZ020100063	11	M8*20 outer-hexagonal
6	LJ030100304	1	GM230 Drain card	19	LJ07010003	1	GM230 Solution tank (grey)
7	BZ02030000	2	M5 flat mat	20		1	Solution tank filter components
8	BZ020400003	8	M5 Spring washer	21	BZ010100019	1	∅ 51-70 adjustable ear clamps
9	BZ020100023	2	M5*16 head cross head	22	BC06027017	1	GM230 Drain hose assembly
10	LJ010100626	6	Shield connection plate	23	LJ01010066	1	Motor box upper connection plate
11	BZ02030000	6	M5 Large flat mat	24	LJ07020003	1	GM230 Recovery tank (grey)
12	BZ02010010	6	M5 * 12 head cross head	25	LJ07030006	1	GM230 Right wheel shield (dark
13	LJ010100625	2	Rear box connection plate				



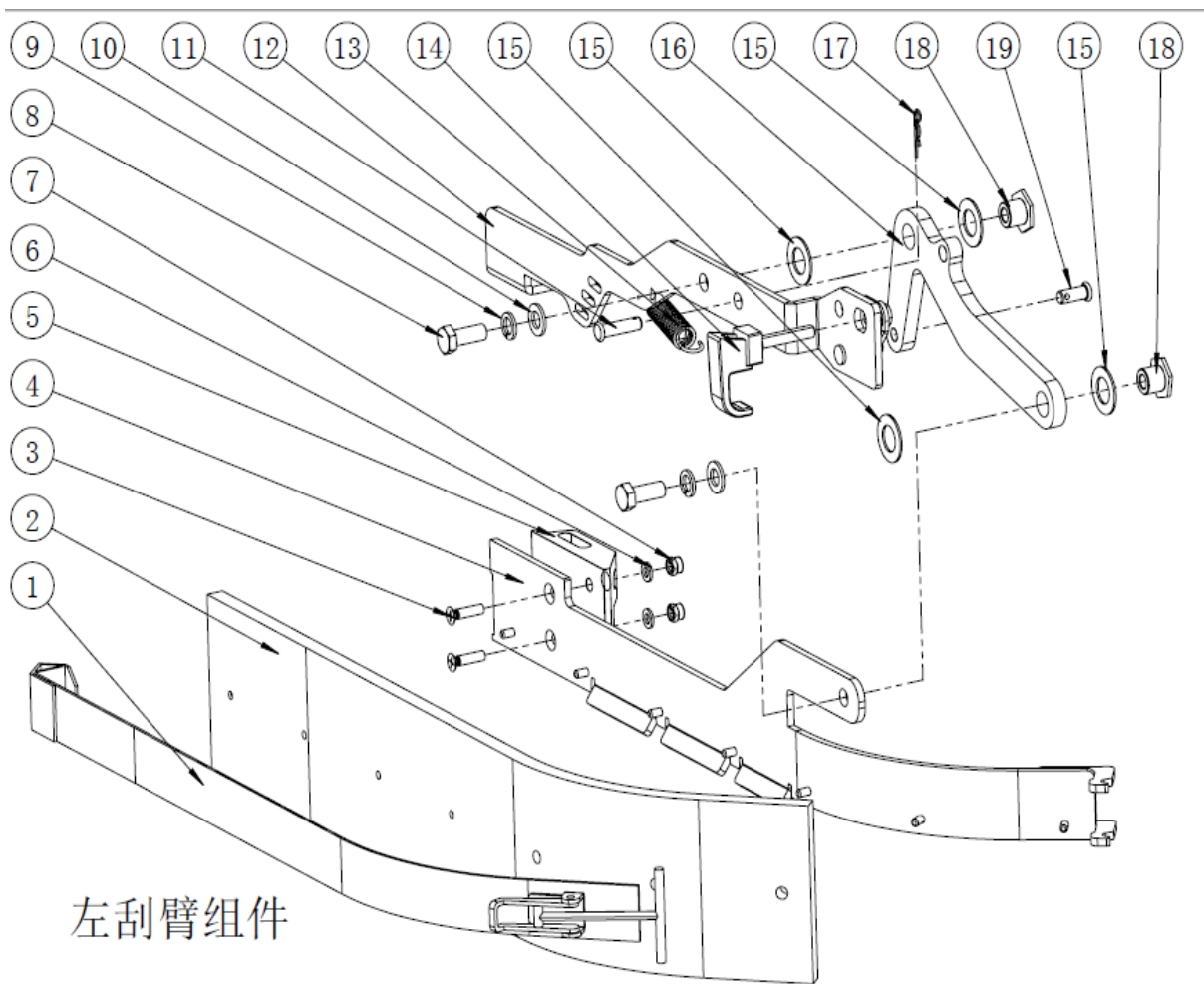
Solution & Recovery Tank Assembly II

NO	Article#	QTY	DESC	NO	Article#	QTY	DESC
1	BC0602701	1	GM230 Drain hose assembly	21	BZ020100035	1	M6*16 out-hexagonal 304 stainless
2	BZ020100023	2	M5*16 head cross head	22	LJ010100626	1	Shield connection plate
3	BZ010100019	1	∅ 51-70 adjustable ear clamps	23	BZ020100007	1	M4*16 small head cross
4	BZ020400003	2	M5 Spring washer	24	BZ020600010	1	Pole buckle
5	BZ02030000	2	M5 Flat mat	25	BZ020300002	1	M4 flat mat
6	LJ08010002	1	GM230 Vacuum hose	26	BZ020400002	1	M4 Spring washer
7	LJ03010030	1	GM230 drain hose card	27	BZ020200004	1	M4 self-locking nut
8	BZ020100063	14	M8*20 outer-hexagonal	28	LJ010100623	2	Recovery tank hanging board
9	BZ020400005	14	M8 Spring washer	29	LJ130200019	1	Rear cover gasket
10	BZ020300010	15	M8 Large flat mat	30	LJ070300063	1	GM230 Recovery tank cover (grey)
11	BC0602700	1	Motor vacuum box assembly	31	BZ020100255	1	M8*16 outer-hexagonal (thin head)
12	LJ03020021	1	GM230 motor seals	32	LJ010200411	1	Cover support plate connect shaft 2
13	LJ07020003	1	GM230 Recovery tank (grey)	33	LJ010100627	1	Cover support plate
14	LJ01010062	1	Waste water sensor cover	34	LJ010200410	1	Cover support plate connect shaft 1
15	LJ02060000	1	GM50B Waste water sensor	35	BZ020400011	1	M8 Extra large flat mat
16	LJ01010062	1	Mandrel support plate	36	BZ020100266	1	ST8*35 outer-hexagonal
17	LJ01010063	1	Mandrel base welds	37	BZ020100261	2	ST8*25 outer-hexagonal
18	LJ01010063	1	Seat mandrel	38	LJ010100040	2	Collection box mounting copper bush
19	BZ020200009	1	M6 self-locking nut	39	BC06027016	1	GM230 collection box assembly
20	BZ02030000	2	M6 flat mat	40	LJ110300009	1	GM230 motor filter HEPA



Main brush plate assembly

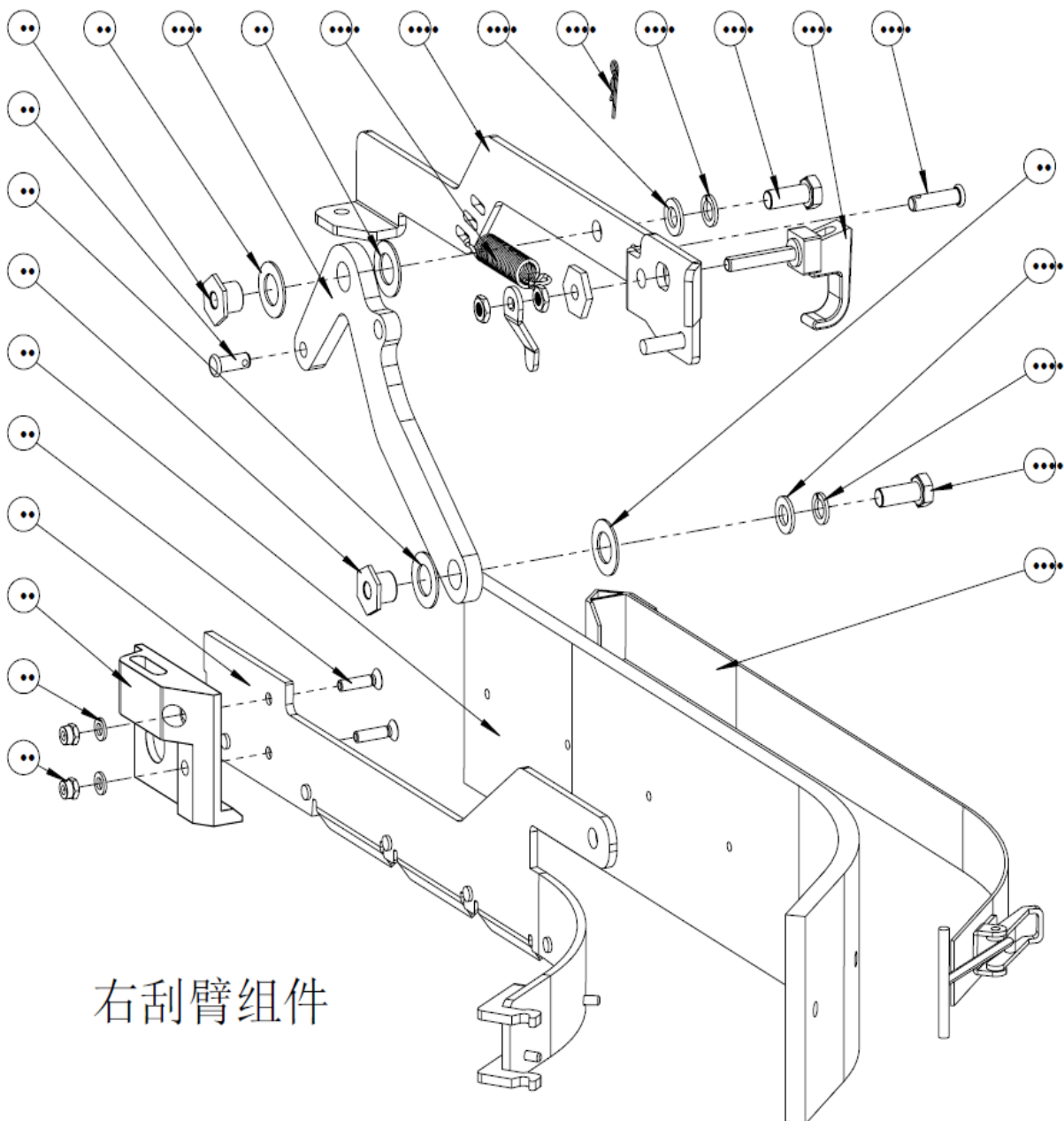
NO	Article#	QTY	DESC	NO	Article#	QTY	DESC
1	LJ050100061	2	GM230 Floor brush	15	BZ020100254	2	M8*110 half silk outer-
2	BZ020100063	3	M8*20 outer-hexagonal	16	BZ020100061	8	M8*35 outer-hexagonal
3	BZ020400005	13	M8 Spring washer	17	LJ010100593	1	Main brush holder welds
4	BZ020300010	15	M8 Large flat mat	18	LJ010100596	2	Brush plate flange
5	LJ010200398	2	GM230 Brush buckle	19	LJ040100062	2	GM230 brush motor
6	BZ130100015	2	1/4 inch X1 inch key	20	LJ010200397	2	GM230 Main brush center
7	BZ020100034	8	M6*20 outer-hexagonal	21	LJ010100595	1	Main brush limit under board
8	BZ020300007	16	M6 Large flat mat	22	BZ160100030	1	Pin \varnothing 12X140
9	LJ010100599	1	GM230 Rear rubber binder	23	BZ160400001	1	3mmR pin
10	LJ030200218	1	Main brush rear rubber	24	LJ010100594	1	Water pipe fixed plate
11	BZ020400004	8	M6 Spring washer	25	LJ010100598	1	GM230 Front rubber binder
12	BZ020200009	8	M6 self-locking nut	26	LJ030200217	1	Main brush front rubber
13	BZ020200011	2	M8 self-locking nut	27	BC06027006	1	Right scraper assembly
14	BC06027005	1	Left scraper assembly				



左刮臂组件

Left Scraper Assembly

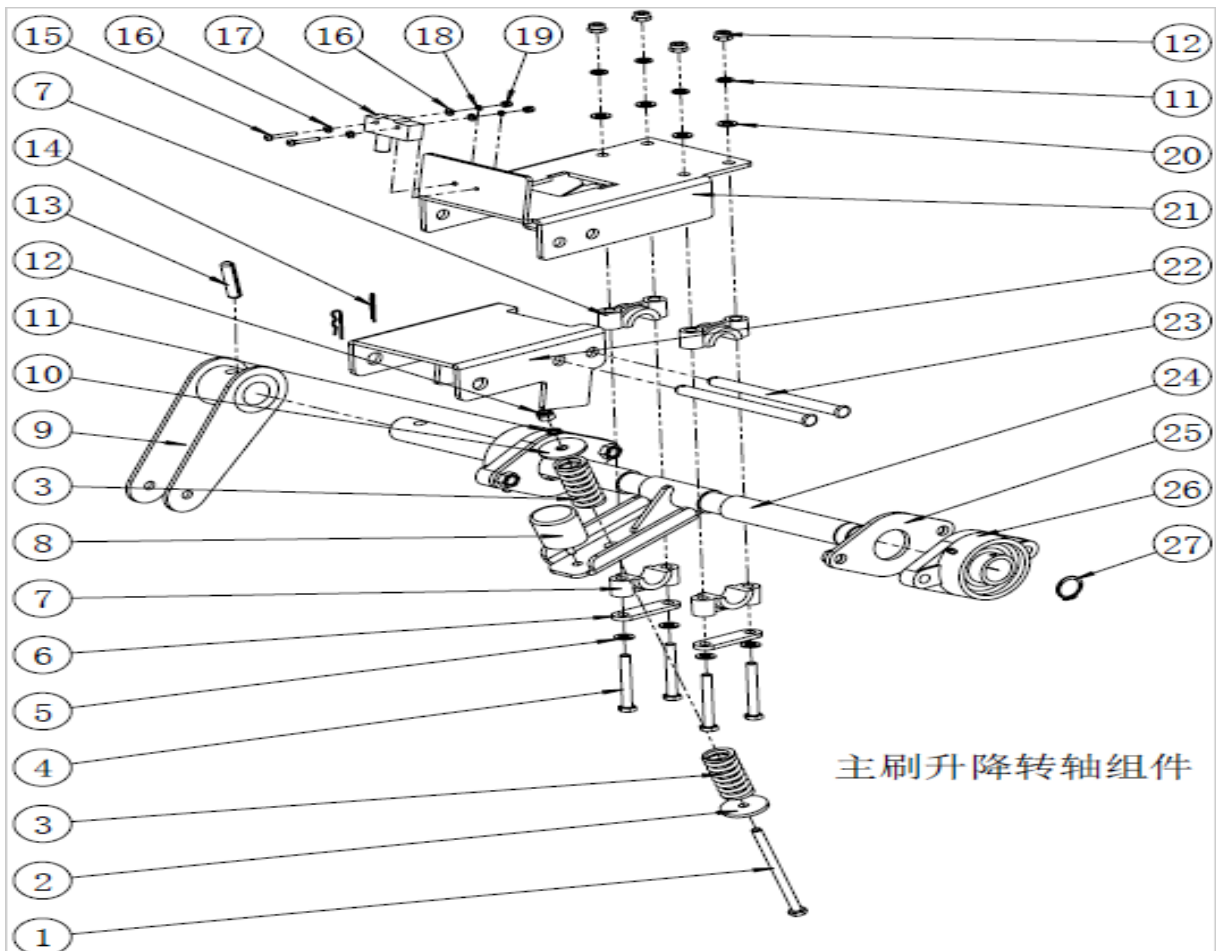
NO	Article#	QTY	DESC	NO	Article#	QTY	DESC
1	LJ010100604	1	Sidebar layer	11	BZ16010003	1	Pin \varnothing 10X25
2	LJ030200221	1	GM230 main brush side rubber	12	LJ01010060	1	Left bar under plate welds
3	BZ020100049	2	M6*25 flat head cross	13	LJ01030006	1	GM230 sidebar reset spring
4	LJ010100602	1	Left bar upper plate welds	14	BZ02060000	1	Sidebar lock
5	LJ030100301	1	GM230 left bar guide block	15	LJ01020040	4	GM230 Sidebar nylon gasket
6	BZ020300006	2	M6 Falt mat	16	LJ010100603	1	Side bar connecting rod
7	BZ020200009	2	M6 self-locking nut	17	BZ16040000	1	R pin 2*40
8	BZ020100086	2	M10*25 outer-hexagonal	18	LJ01040003	2	GM230 side bar copper nut
9	BZ02040000	2	M10 Spring washer	19	BZ16010003	1	Pin \varnothing 8X20
10	BZ020300012	2	M10 Falt mat				



右刮臂组件

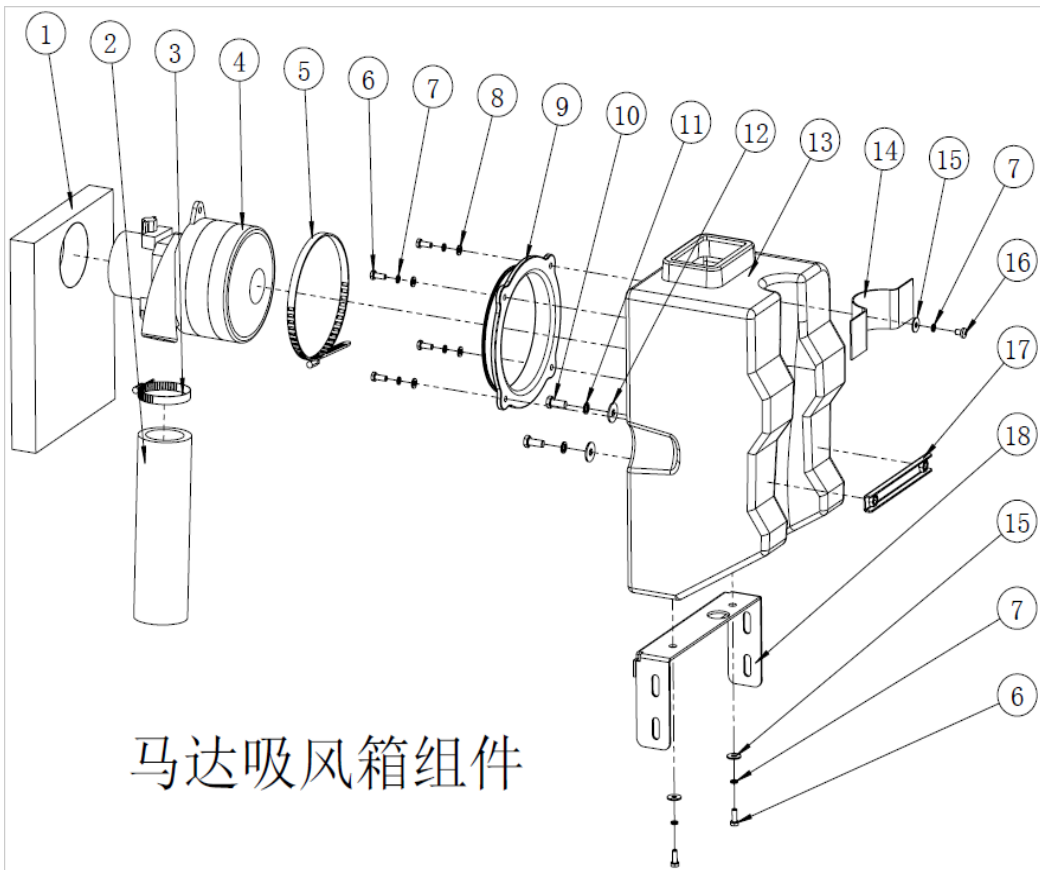
Right Scraper Assembly

NO	Article#	QTY	DESC	NO	Article#	QTY	DESC
1	BZ020200009	2	M6 self-locking nut	11	LJ010300068	1	GM230 sidebar reset spring
2	BZ020300006	2	M6 Falt mat	12	LJ010100607	1	Right bar under plate welds
3	LJ030100302	1	GM230 Right bar guide block	13	BZ020300012	2	M10 Falt mat
4	LJ010100606	1	Right bar under plate welds	14	BZ160400002	1	R pin 2*40
5	BZ020100049	2	M6*25 Flat head cross	15	BZ020400006	2	M10 Spring washer
6	LJ030200221	1	GM230 main brush side	16	BZ020100086	2	M10*25 outer-hexagonal
7	LJ010400035	2	GM230 sidebar copper nut	17	BZ020600009	1	Sidebar lock
8	LJ010200400	4	GM230 sidebar nylon gasket	18	BZ160100031	1	Pin \varnothing 10X25
9	BZ160100003	1	Pin \varnothing 8X20	19	LJ010100604	1	Sidebar layer
10	LJ010100603	1	Sidebar connecting rod				



Main brush shaft assembly

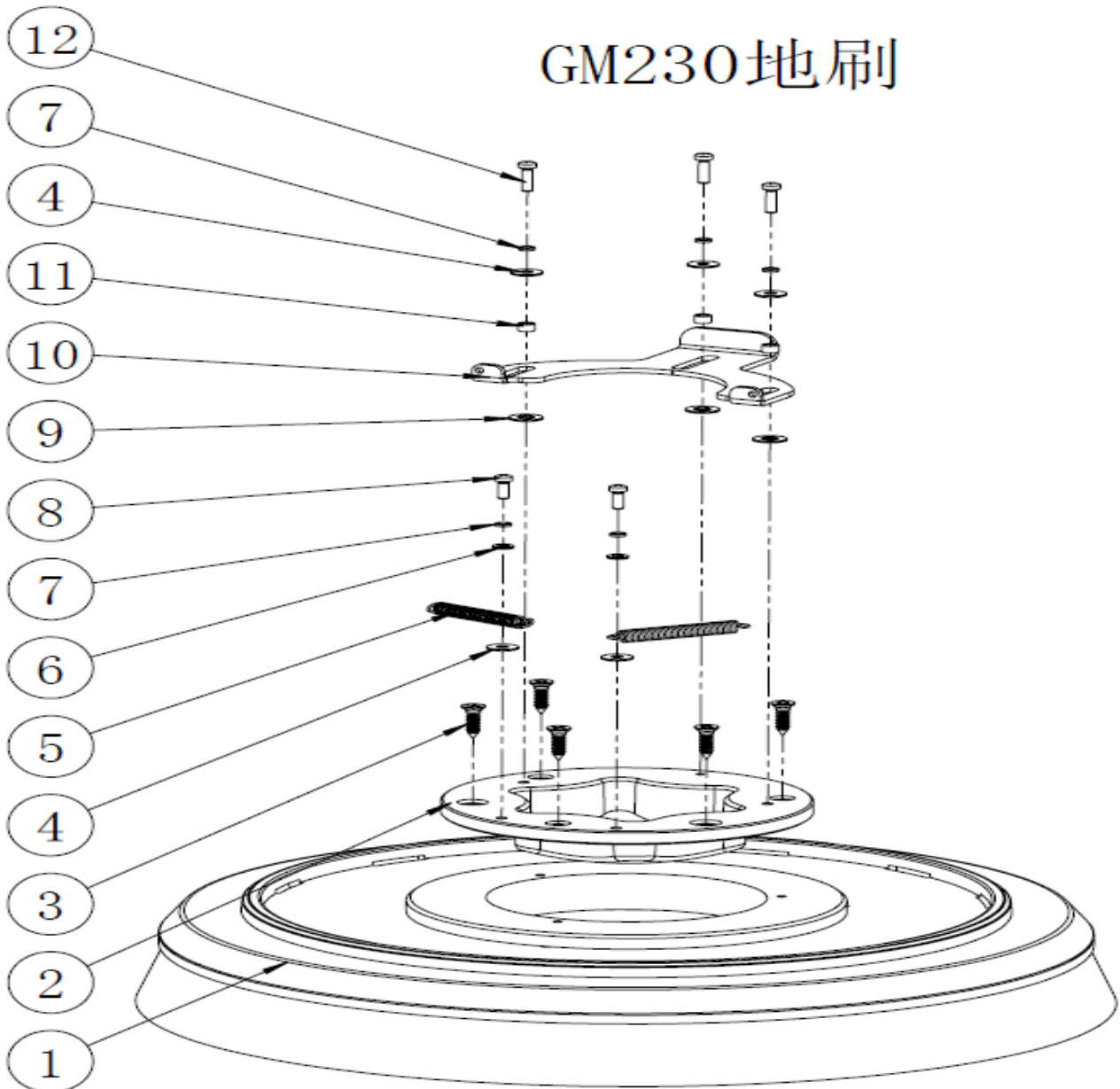
NO	Article#	QTY	DESC	NO	Article#	QTY	DESC
1	BZ020100251	1	M8*130 outer-hexagonal	15	BZ02010013	2	M4*30 head cross head
2	LJ010100659	1	Main brush spring washer	16	BZ020300002	4	M4 Flat mat
3	LJ010300066	2	GM230 main brush compressed	17	LJ090100464	1	GM230 Brush upper limit switch
4	BZ020100175	4	M8*70 outer-hexagonal	18	BZ020400002	1	M4 Spring washer
5	BZ020400009	4	M8 Falt mat	19	BZ02020000	2	M4 self-locking nut
6	LJ010100581	2	Main brush sleeve pad	20	BZ020300010	4	M8 Large flat mat
7	LJ030100298	4	Main brush shaft injection sleeve	21	LJ010100595	1	Main brush limit under board
8	LJ030200212	1	Main brush rubber pad	22	LJ010100580	1	Main brush limit upper board
9	LJ010100660	1	Pushrod connection welds	23	BZ16010002	2	Pin \varnothing 12X150
10	BZ020300011	1	M8 Extra large flat mat	24	LJ010200395	1	Main brush pushrod connection shaft
11	BZ020400005	5	M8 Spring washer	25	LJ010100652	2	Bearing connection plate welds
12	BZ020200011	5	M8 self-locking nut	26	BZ04020000	2	With diamond seat bearing UCFLU206
13	BZ030300010	1	Elastic pin \varnothing 10X50	27	BZ030100019	2	\varnothing 30 axis card
14	BZ160400001	2	R pin 3*50				



Motor Vacuum box Assembly

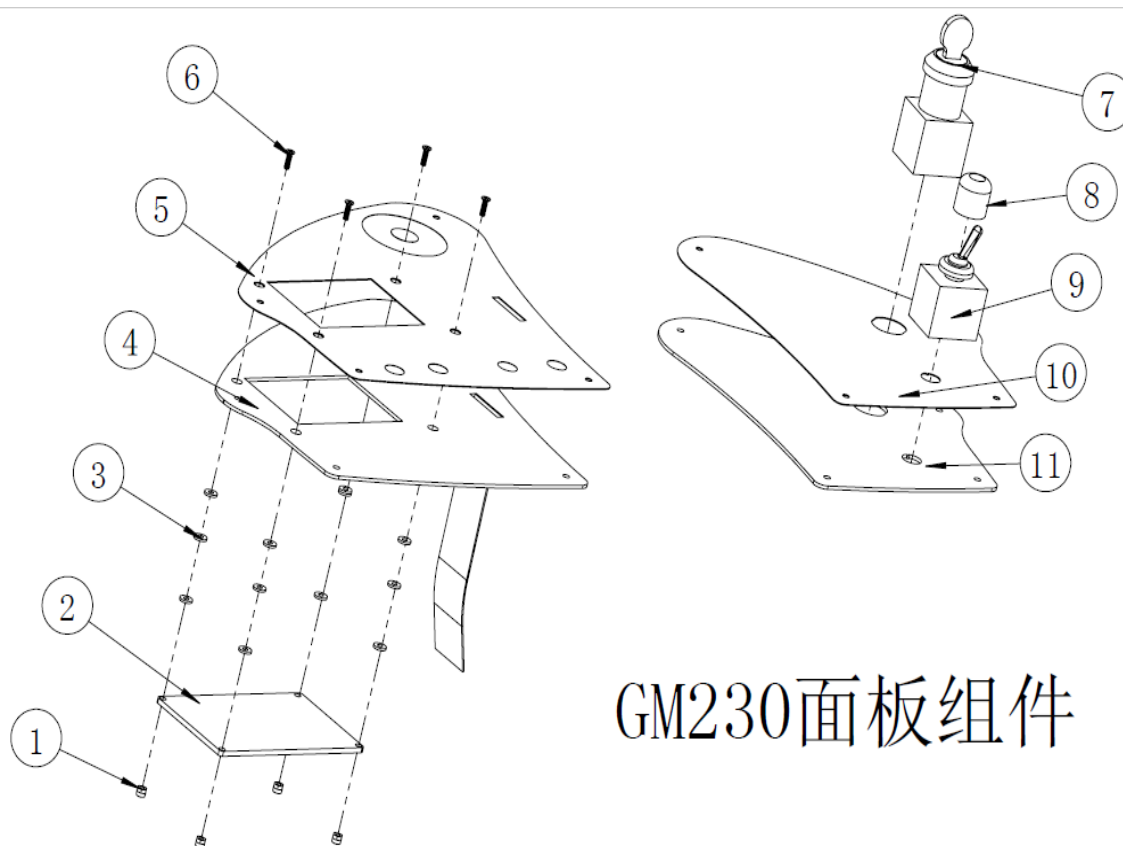
NO	Article#	QTY	DESC	NO	Article#	QTY	DESC
1	LJ120100008	1	GM230 motor hear insulation cotton	10	BZ020100063	2	M8*20 outer-hexagonal
2	LJ120100007	1	GM230 motor silencer	11	BZ020400005	2	M8 Spring washer
3	BZ010100019	1	∅ 51-70 adjustable ear clamps	12	BZ020300010	2	M8 Large flat mat
4	LJ040200025	1	GM230 3-layer vacuum motor	13	LJ070300059	1	GM230 motor vacuum box
5	BZ010100018	1	∅ 140-160 Adjustable ear clamp	14	BZ150100009	1	GM230 tube stickers
6	BZ020100035	6	M6*16 outer-hexagonal 304 stainless	15	BZ020300007	3	M6 Large flat mat
7	BZ020400004	7	M6 Spring washer	16	BZ020100052	1	M6*10 Pan head cross
8	BZ020300006	4	M6 Flat mat	17	LJ010100668	1	Internal motor fixing plate
9	LJ030200220	1	GM230 motor damping ring	18	LJ010100600	1	GM230 motor box support

GM230地刷



Floor Brush

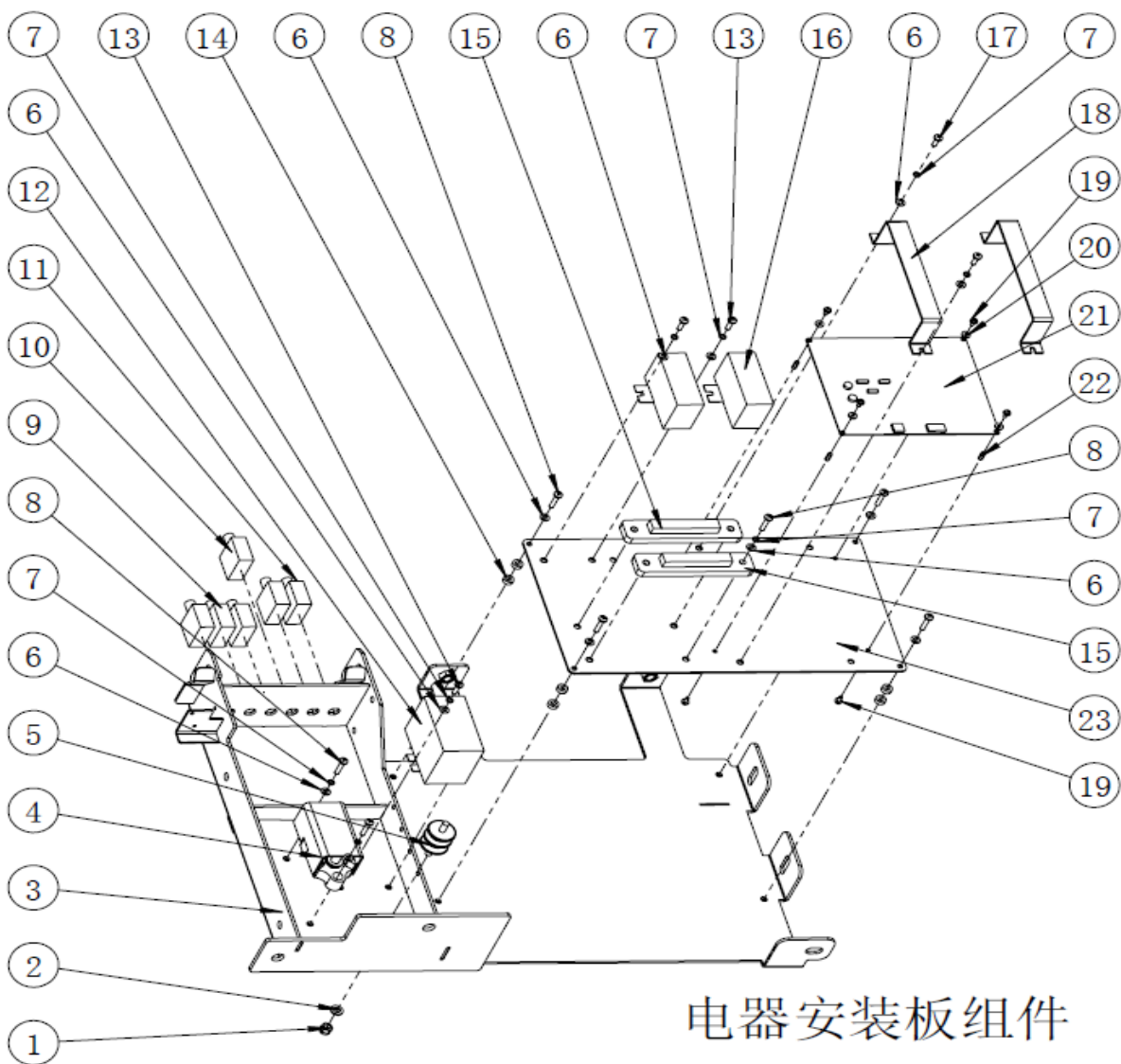
NO	Article#	QTY	DESC	NO	Article#	QT	DESC
1	LJ05010006	1	GM230 Floor brush (rough)	7	BZ020400003	5	M5 Spring washer
2	LJ03010030	1	GM230 Floor brush buckle	8	BZ020100169	3	M5*12 head cross head
3	BZ02010007	5	ST6.5*22 flat head cross self	9	LJ010200399	3	GM230 Brush buckle handle nylon
4	BZ02030000	5	M5 Large flat mat	10	LJ010100597	1	GM230 Brush buckle handle
5	LJ01030006	2	GM230 brush buckle spring	11	LJ010400034	3	GM230 Brush buckle handle bush
6	BZ02030000	2	M5 Flat mat	12	BZ020100023	3	M5*16 head cross head



GM230面板组件

Control Panel Assembly

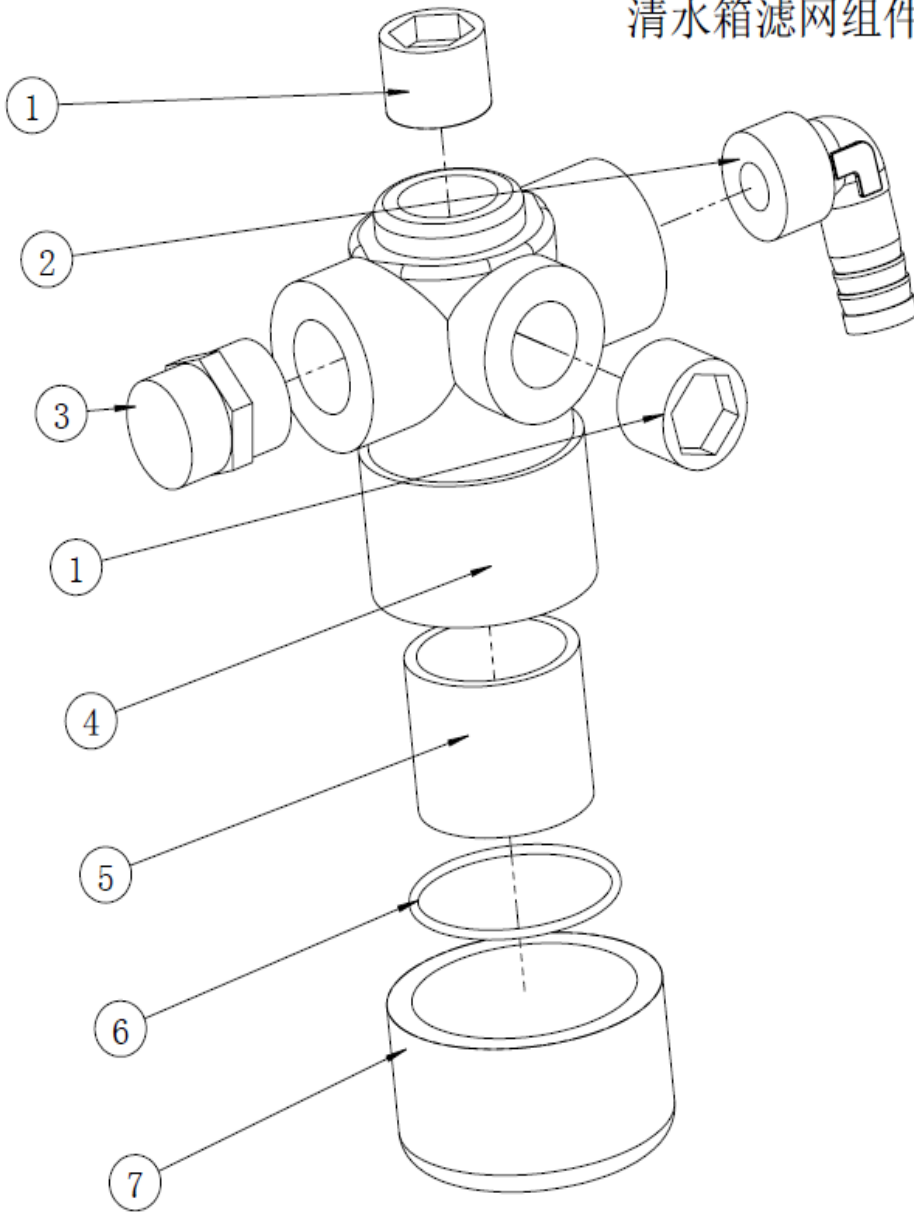
NO	Article#	QTY	DESC
1	BZ020200002	4	M3 self-locking nut
2	LJ020200039	1	GM230 LCD panel
3	BZ070400018	12	50B Silent Insulation Gasket
4	LJ010100614	1	GM230 large panel
5	LJ020100067	1	GM230 touch panel left stickers
6	BZ201000248	4	M3 * 10 flat head cross
7	LJ020100039	1	GM50B emergency stop key switch
8	LJ020100038	1	GM110 direction switch waterproof cap
9	LJ020100027	1	GM110 directional switch
10	LJ020100068	1	GM230 touch panel right stickers
11	LJ010100615	1	GM230 small panel



Electrical Installation Plate Assembly

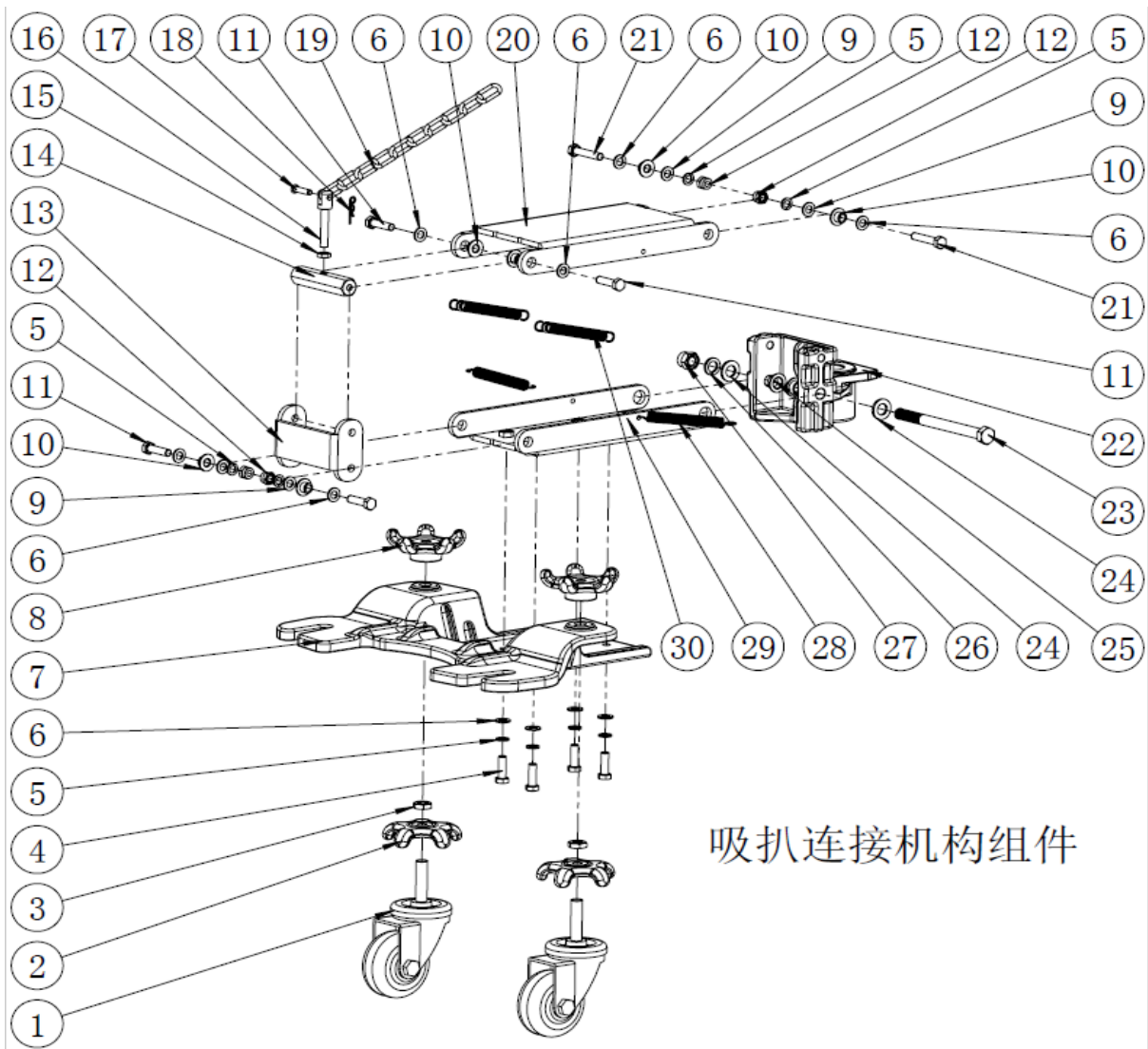
NO	Article#	QTY	DESC	NO	Article#	QTY	DESC
1	BZ020200009	1	M6 self-locking nut	12	LJ020800010	1	GM230 DC contactor
2	BZ020300006	1	M6 Flat mat	13	BZ020100164	6	M4*14 head cross head
3	LJ010100643	1	Electrical installation plate	14	BZ070400008	8	50B electronic control board rubber pad
4	LJ020300001	1	100A fuse box	15	LJ020500008	2	Shunt
5	LJ020800002	1	Insulated pile head	16	LJ020800009	2	GM230 DC contactor
6	BZ020300002	10	M4 Flat mat	17	BZ020100009	4	M4*12 head cross head
7	BZ020400002	10	M4 Spring washer	18	LJ010100649	2	PCB protection bracket
8	BZ020100014	10	M4*20 Pan head cross	19	BZ020100249	8	M3*6 screws with pad
9	LJ020300012	3	25A protector	20	BZ070400018	8	50B Silent Insulation Gasket
10	LJ020300011	1	Reset fuse switch	21	LJ020200038	1	GM230 motor control board
11	LJ020300014	2	3A Fuse	22	LJ010400038	4	M3*10 inner wire copper pillar

清水箱滤网组件



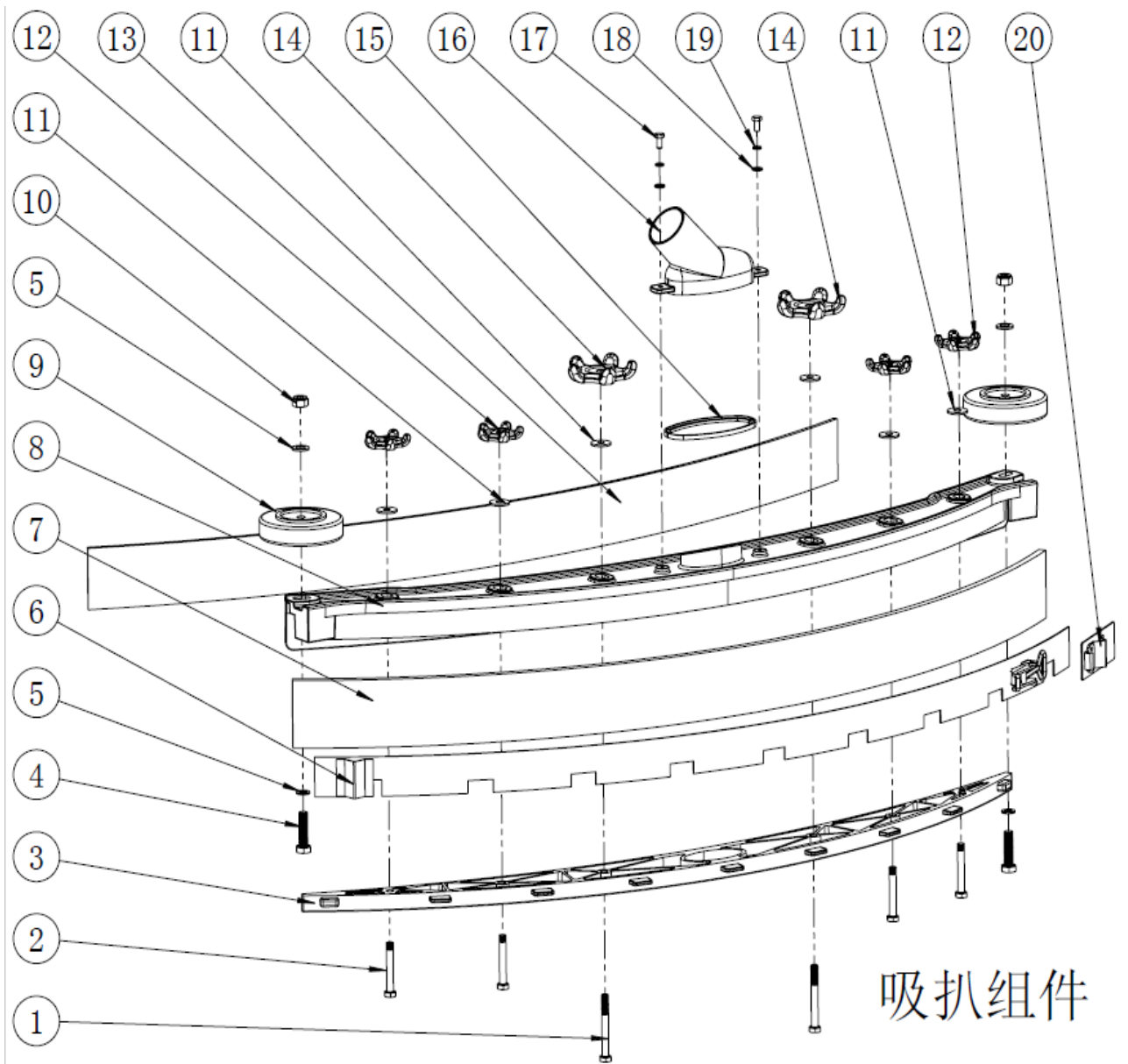
Water filter component

NO	Article#	QTY	DESC
1	LJ010500117	2	G3 / 8 outer wire plug
2	LJ010500129	1	1/2 outer wire X \varnothing 16 copper elbow
3	LJ010500076	1	1/2 outer wire docking
4	LJ030100269	1	Roller brush 110 filter body
5	LJ030100270	1	Roller brush 110 filter
6	BZ070100019	1	O-ring diameter \varnothing 33X2.4
7	LJ030100214	1	AC filter cover



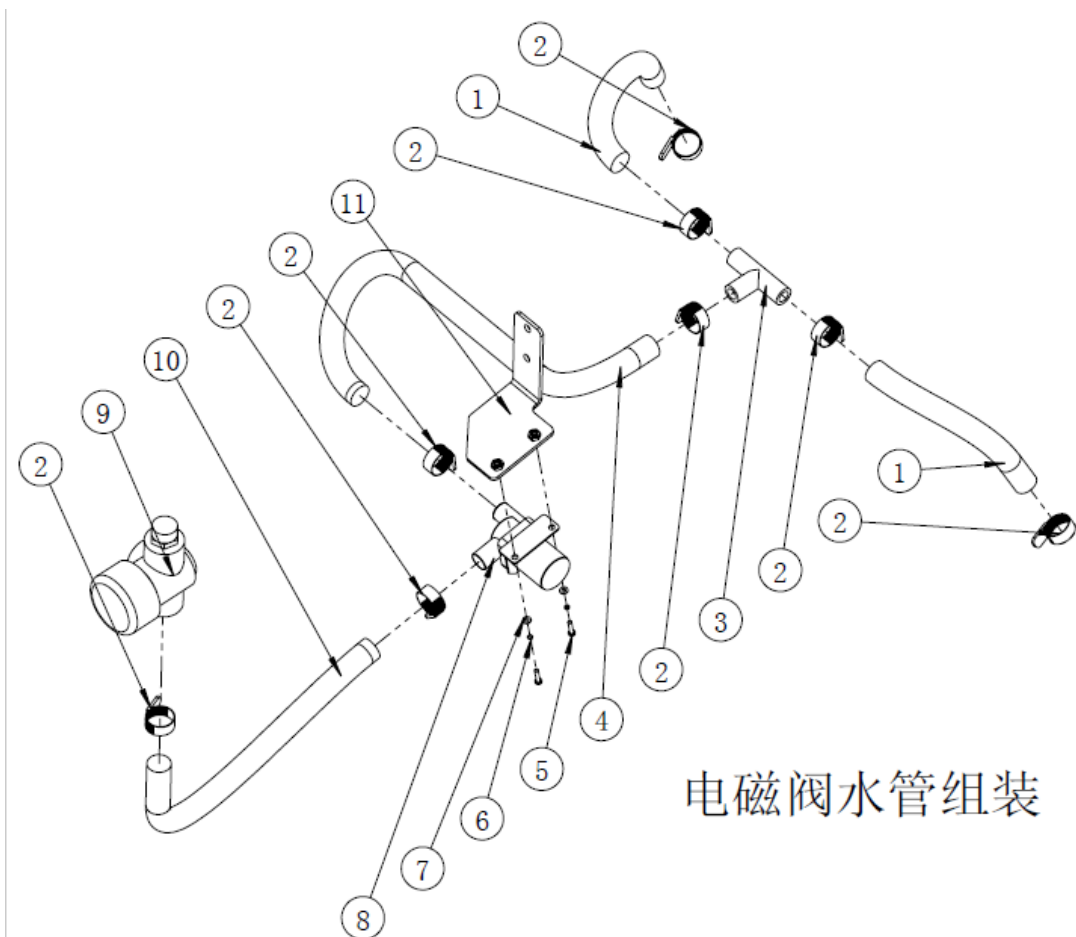
Squeegee Connection Assembly

NO	Article#	QTY	DESC	NO	Article#	QTY	DESC
1	BZ08010001	2	GM230 Squeegee universal wheels	16	LJ010200429	1	GM230 Squeegee chain joint welds
2	LJ030100309	2	M12 Big hand Nut	17	BZ160100009	1	Pin \varnothing 6X25
3	BZ02020003	2	M12 thin nuts	18	BZ160400001	1	3mmR pin
4	BZ02010005	4	M8 *25 outer-hexagonal	19	LJ010100664	1	Squeegee lifting chain
5	BZ02040000	10	M8 Spring washer	20	LJ010100637	1	GM230 adjust upper connector
6	BZ020300009	10	M8 Flat mat	21	BZ020100064	2	M8 *40 outer-hexagonal
7	LJ010200417	1	Squeegee connection plate	22	LJ010200300	1	GM110 Squeegee rotary shaft die casting
8	LJ030100308	2	M12 Big hand nut with steps	23	BZ201000253	1	M12*140 outer-hexagonal
9	BZ02030001	6	M8 Large flat mat	24	BZ020300013	2	M12 flat mat (stainless steel)
10	LJ010200040	6	GM50B motor connection copper b	25	LJ010200418	2	GM230 Squeegee connecting rod copper sleeve
11	BZ020100060	4	M8 *30 outer-hexagonal	26	BZ020400007	1	M12 Spring washer
12	BZ02020001	4	M8 self-locking nut	27	BZ020200016	1	M12 self-locking nut
13	LJ010100639	1	GM230 Squeegee adjust bracket	28	LJ010300071	2	Squeegee side spring
14	LJ010200428	1	GM230 Squeegee connection shaft	29	LJ010300072	2	Squeegee connecting rod internal spring
15	BZ020200010	1	M8 nuts				



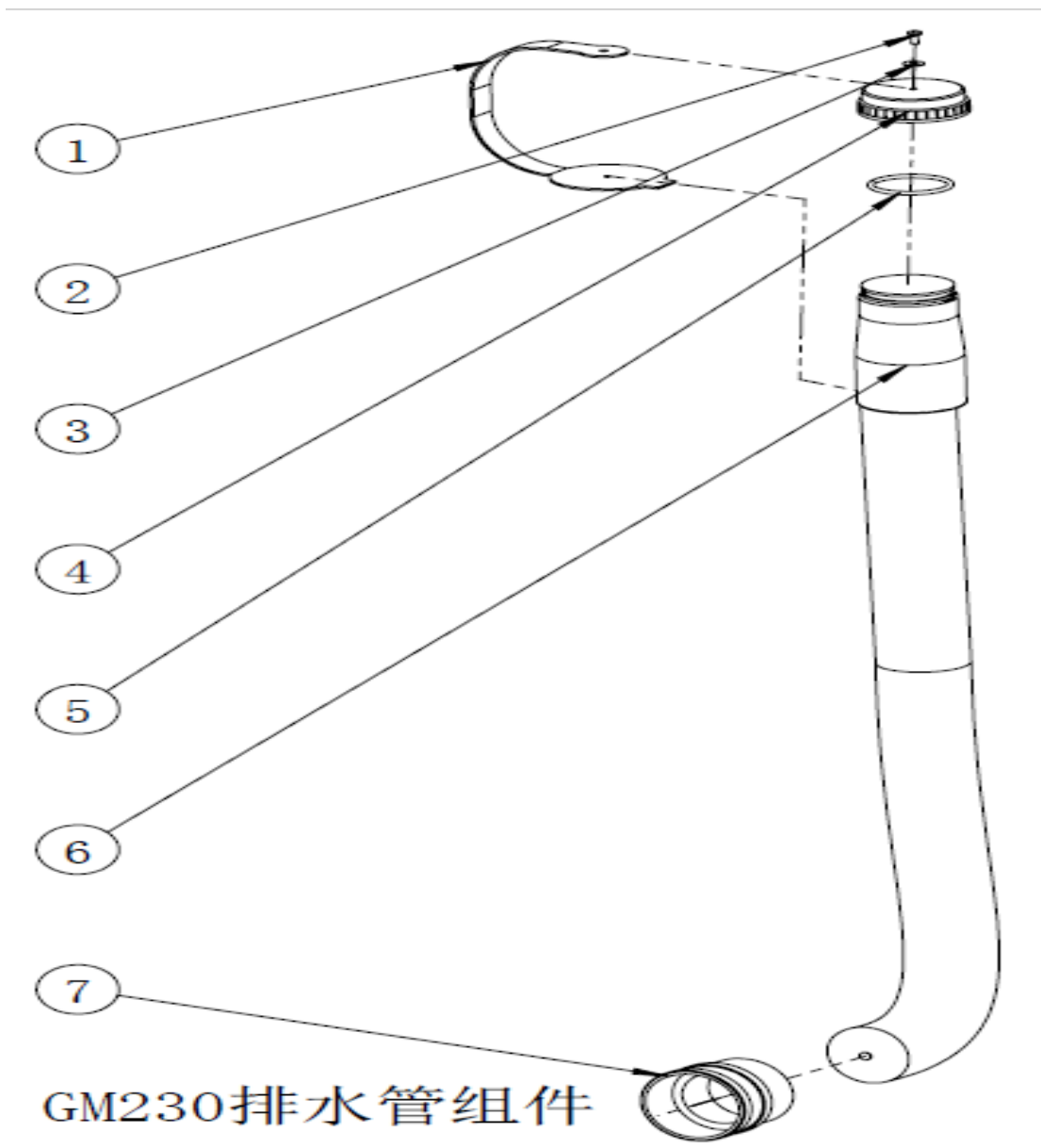
Squeegee Assembly

NO	Article#	QTY	DESC	NO	Article#	QTY	DESC
1	BZ02010018	2	M8*90 outer-hexagonal 304 stainless	11	BZ02030001	6	M8 Extra large flat mat
2	BZ02010017	4	M8*70 outer- hexagonal	12	LJ030100310	4	M8 Small hand nuts with steps
3	LJ030100315	1	Squeegee under main body	13	LJ030200226	1	GM230 Squeegee front rubber
4	BZ02010005	2	M8*50 outer- hexagonal	14	LJ030100307	2	M8 Big hand nuts with steps
5	BZ02030000	4	M8 Flat mat	15	LJ030200225	1	GM230 Squeegee water outlet
6	LJ010100634	1	GM230 Squeegee big layer	16	LJ030100311	1	GM230 Squeegee water outlet
7	LJ030200227	1	GM230 Squeegee rear rubber	17	BZ02010015	2	M5*16 outer- hexagonal
8	LJ010200415	1	Squeegee upper main body	18	BZ02030000	2	M5 Flat mat
9	BZ08020002	2	GM230 Squeegee bucket wheel	19	BZ02040000	2	M5 Spring washer
10	BZ02020001	2	M8 self-locking nut	20	LJ010100635	1	GM230 Squeegee small layer



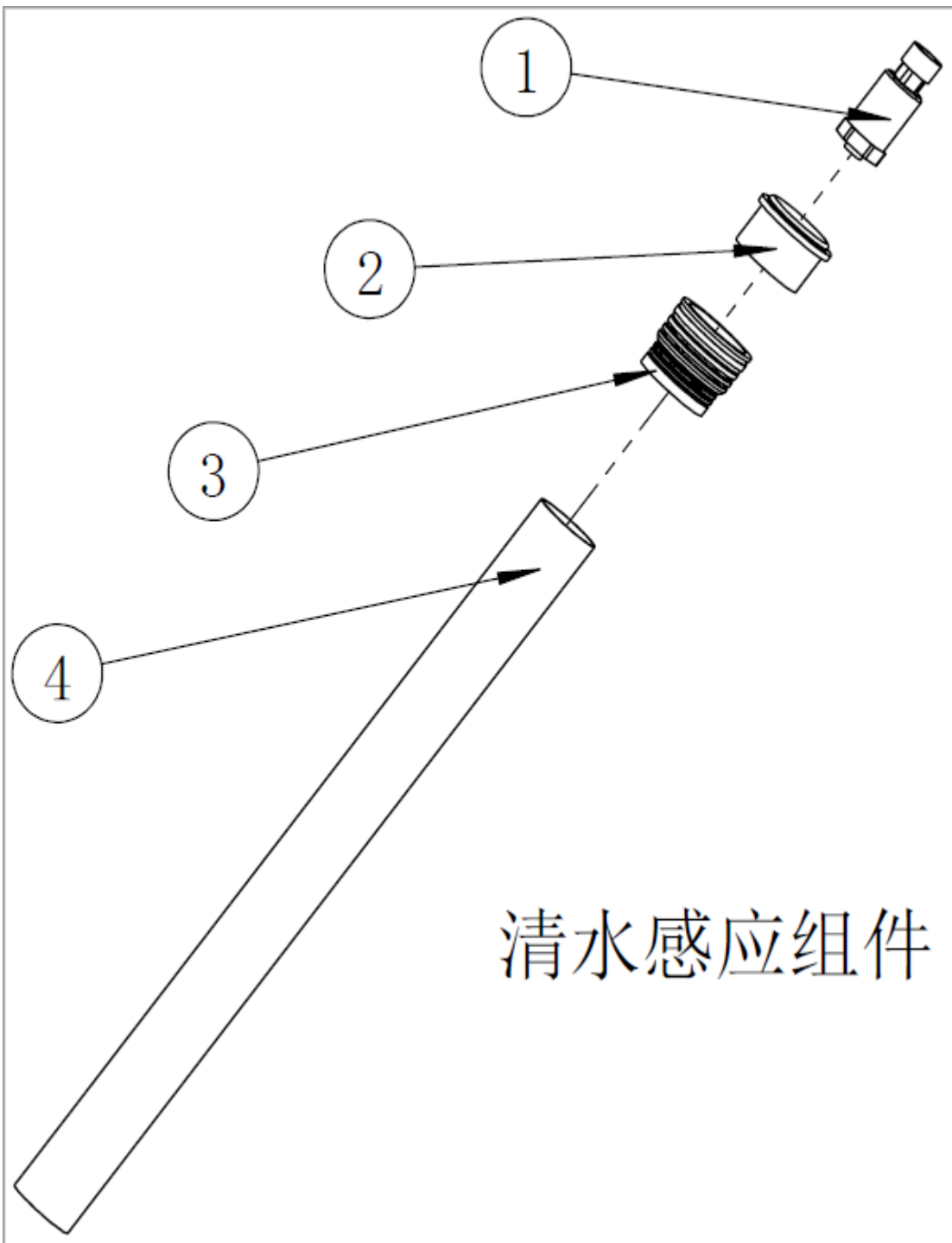
Solenoid Value Water Supply Assembly

NO	Article#	QTY	DESC
1	LJ080500002	2	∅ 14 Wire Hose (200mm)
2	BZ010100007	7	∅ 22.6 ear type clamp
3	LJ010500131	1	T-type copper connector
4	LJ080500002	1	∅ 14 Wire Hose (200mm)
5	BZ020100213	2	M5*14 Pan head cross
6	BZ020400003	2	M5 Spring washer
7	BZ020300003	2	M5 Flat mat
8	LJ090100474	1	GM230-36V solenoid valve harness
9		1	Solution tank filter components
10	LJ080500001	1	∅ 16 Wire hose (water 300mm)
11	LJ010100591	1	Solenoid valve welds bracket



Drain Hose Assembly

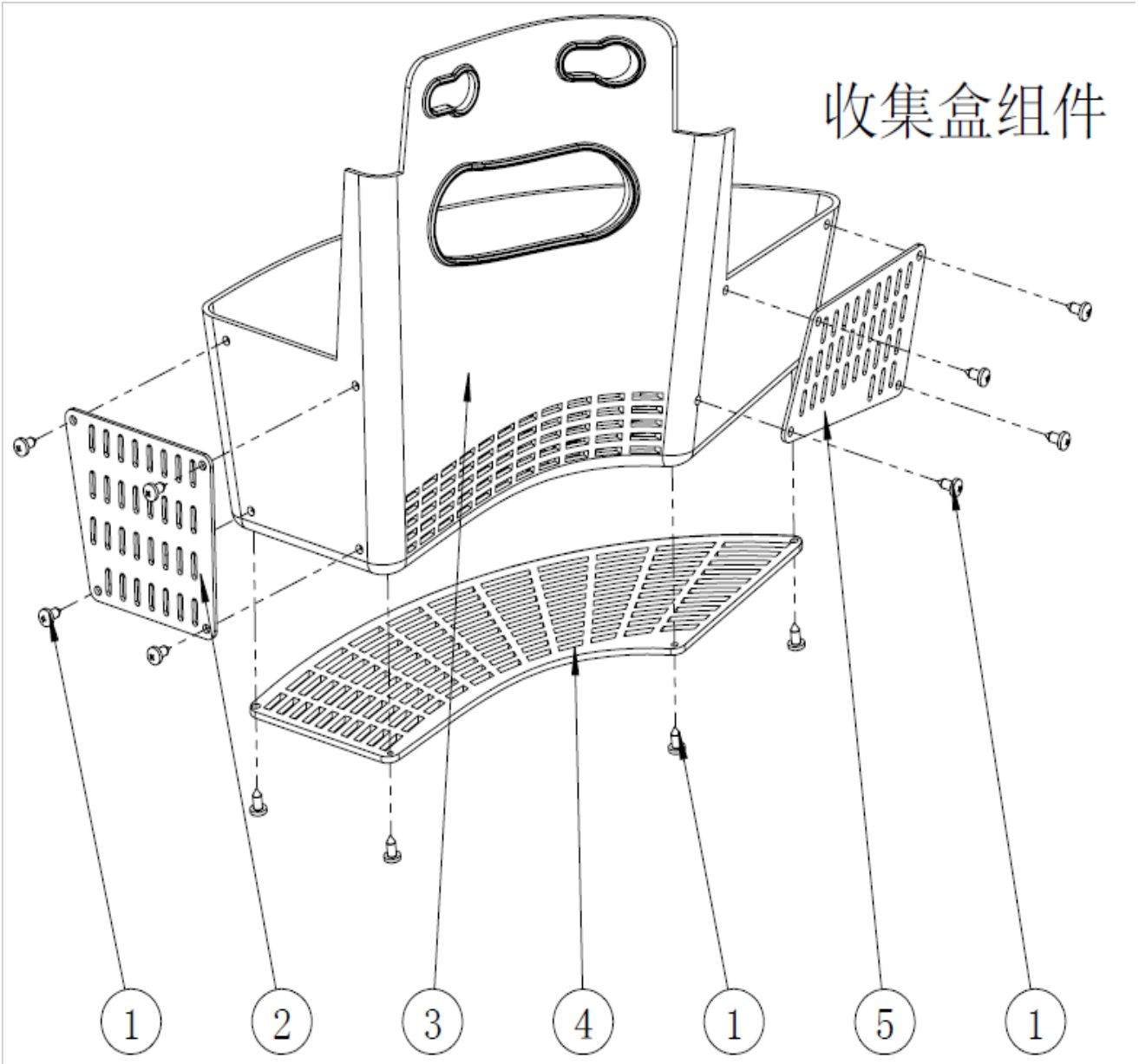
NO	Article#	QTY	DESC
1	LJ030200223	1	Drain hose cap anti-dropping chain
2	BZ020100010	1	M4*10 head cross head
3	BZ020300003	1	M4 Large flat mat
4	LJ030100306	1	GM230 Drain hose cap
5	BZ070100021	1	Silicone O-ring diameter $\varnothing 46*3.5$
6	LJ080100022	1	GM230 Drain hose
7	LJ030100305	1	GM230 Drain hose fittings



Water Sendor Assembly

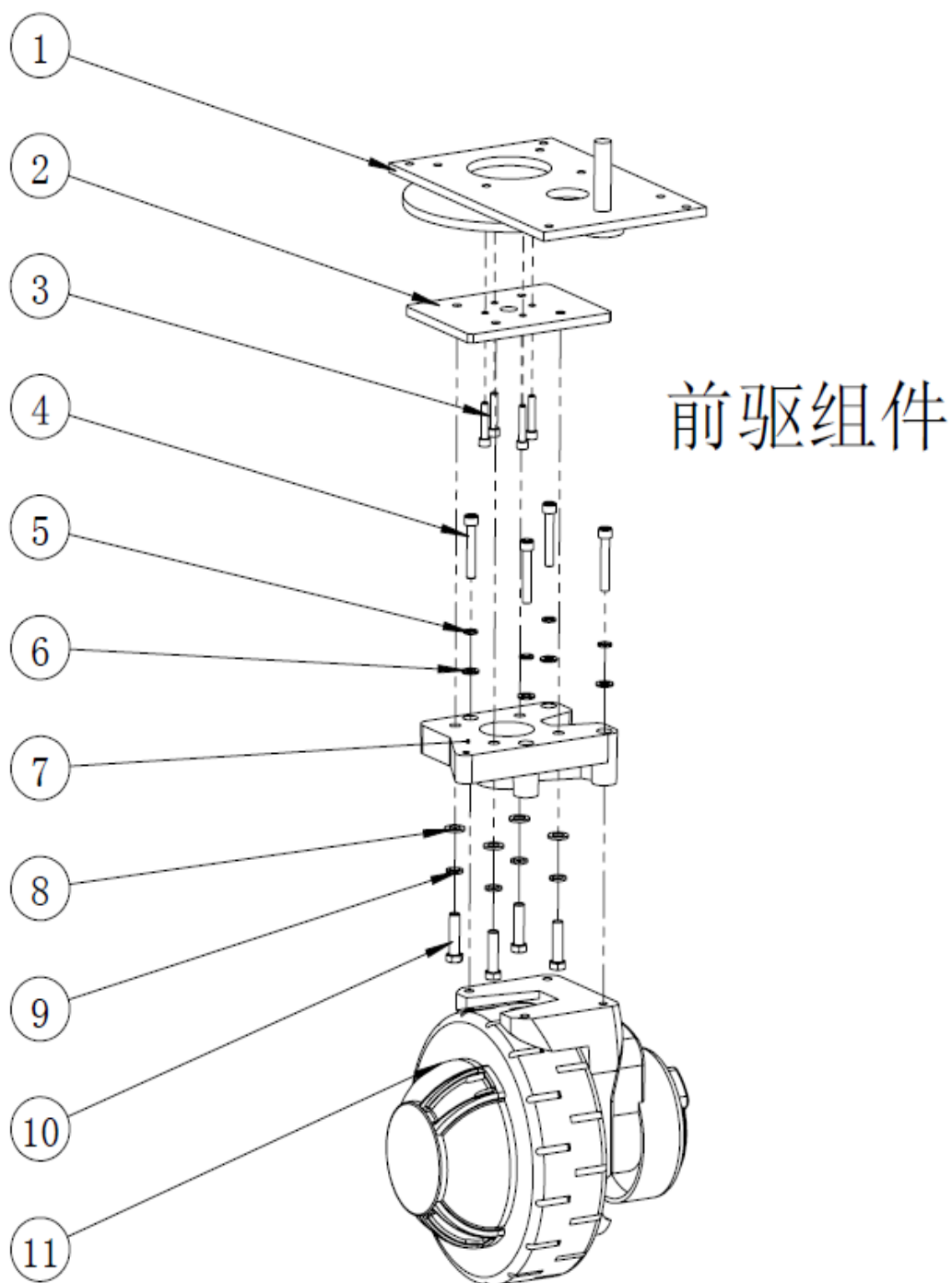
NO	Article#	QTY	DESC
1	LJ090100469	1	GM230 pressure sensor harness
2	LJ010200412	1	Clean water sensor tube plug
3	LJ030200224	1	Solution tank sensor rubber cover
4	LJ010200413	1	Solution tank induction PVC pipe

收集盒组件



Collection Box Assembly

NO	Article#	QTY	DESC
1	BZ020100018	12	ST4*10 Pan head cross self tapping
2	LJ010100648	1	Collect box right side board
3	LJ070300064	1	GM230 Colletct box(yellow)
4	LJ010100646	1	Collect box bottom board
5	LJ010100647	1	Collect box left side board



Precursor components

NO	Article#	QTY	DESC
1	LJ040100061	1	GM230 steering mechanism
2	LJ010100579	1	Drive flange connection plate
3	BZ020100272	4	M8*40 countersunk head hex socket
4	BZ020100250	4	M10*60 hex socket
5	BZ020400006	4	M10 Spring washer
6	BZ020300012	4	M10 flat mat
7	LJ010200394	1	GM230 precursor pad
8	BZ020300013	4	M12 flat mat (stainless steel)
9	BZ020400007	4	M12 Spring washer
10	BZ020100265	4	M12*55 outer-hexagonal
11	LJ040100060	1	GM230 drive motor